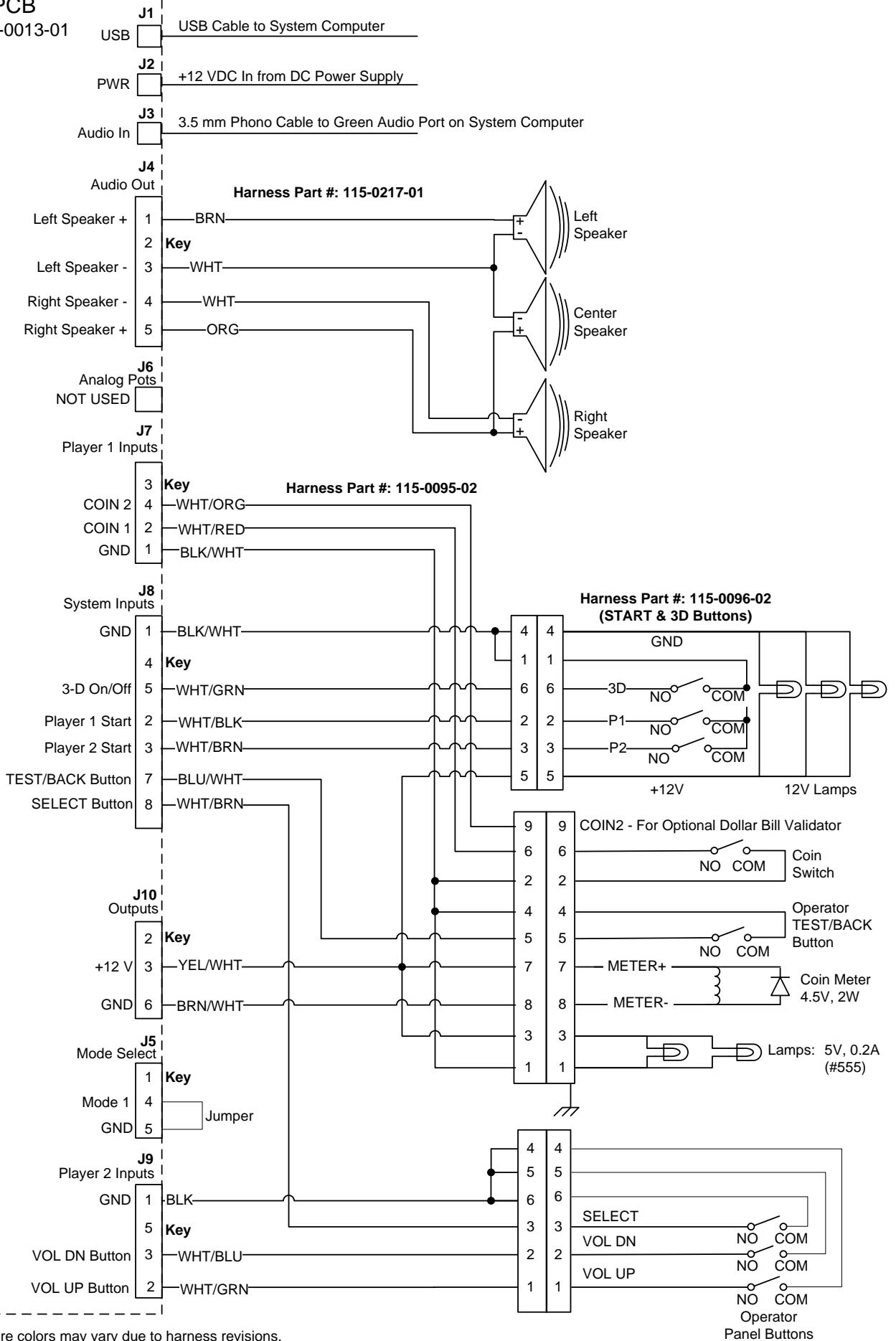


# GVRI/O PCB

Part #: 990-0013-01



**NOTES:** Wire colors may vary due to harness revisions.  
Unused pins are not shown.