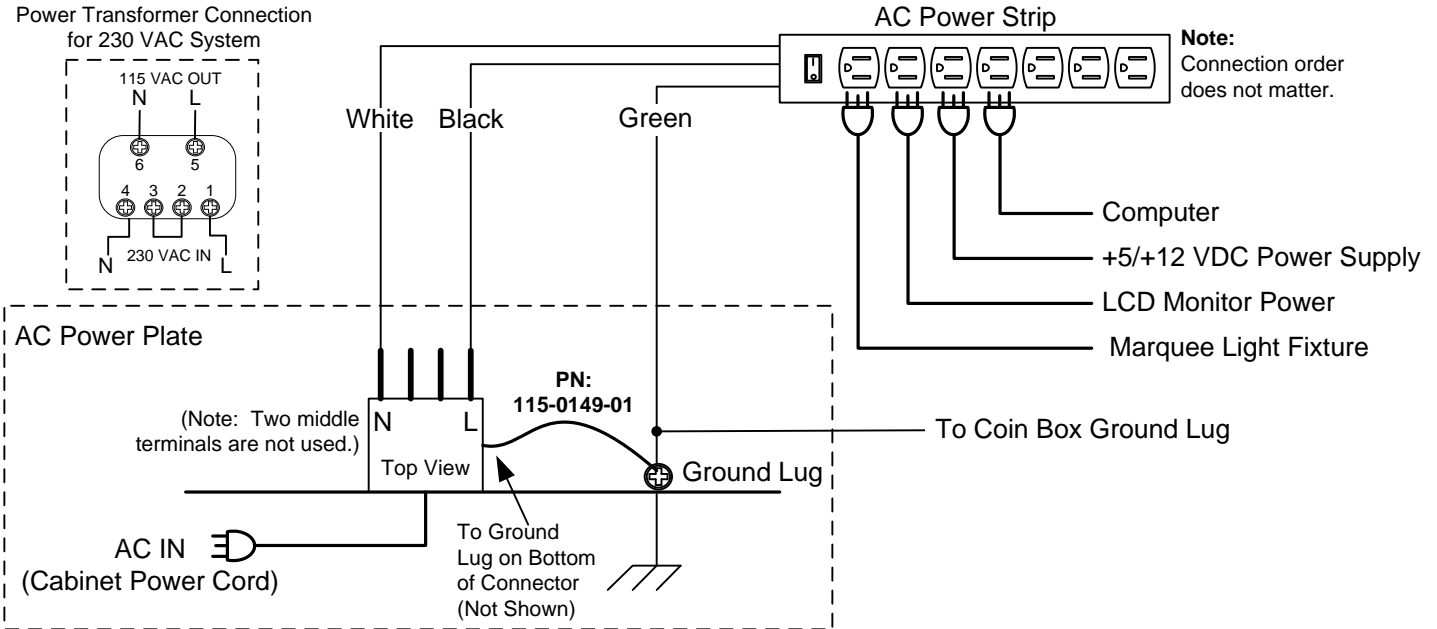
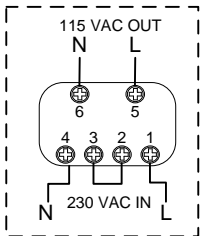


Power Transformer Connection
 for 230 VAC System



+5/+12 VDC Power Supply

