

Replacing a US Coin Mech with an NRI Type

Document Part #: 040-0067-01

1. Open the latches that secure the coin mech in the coin door assembly and remove the coin mech.
2. Connect the NRI coin mech harness (part #: GLO-CAN) to the 10-pin connector on the NRI coin mech.
3. Make sure that all DIP switches on the coin mech are in the OFF (downward) position.
4. Connect the blue wire with the spade connector to the coin signal connector.
5. Connect the two black ground wires with spade connectors to the coin door ground connectors.
6. Install the coin mech in the coin door assembly and secure the latches. You may need to remove the center positioning pin from the coin mech, depending on the configuration of the coin door.
7. Connect the DC power connector from the harness to an external +5VDC/+12 VDC power supply. Do not use DC power from the computer.
8. Verify proper coin mech operation with both good and bad coins.

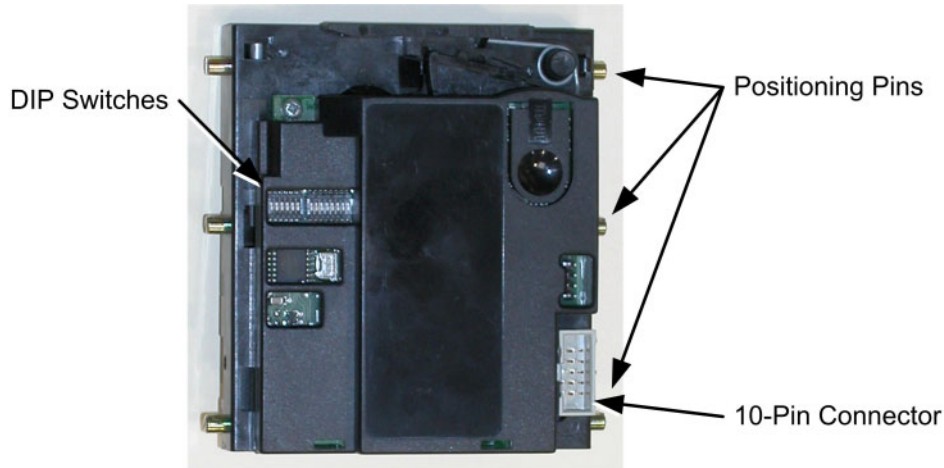


Figure 1. NRI Coin Mech Components

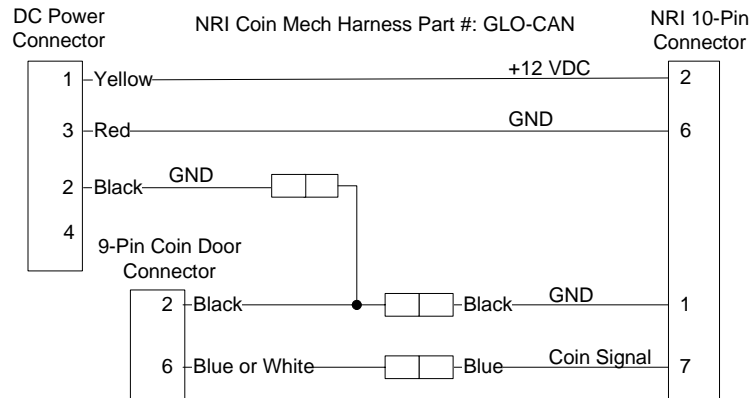


Figure 2. NRI Coin Mech Harness Wiring Diagram