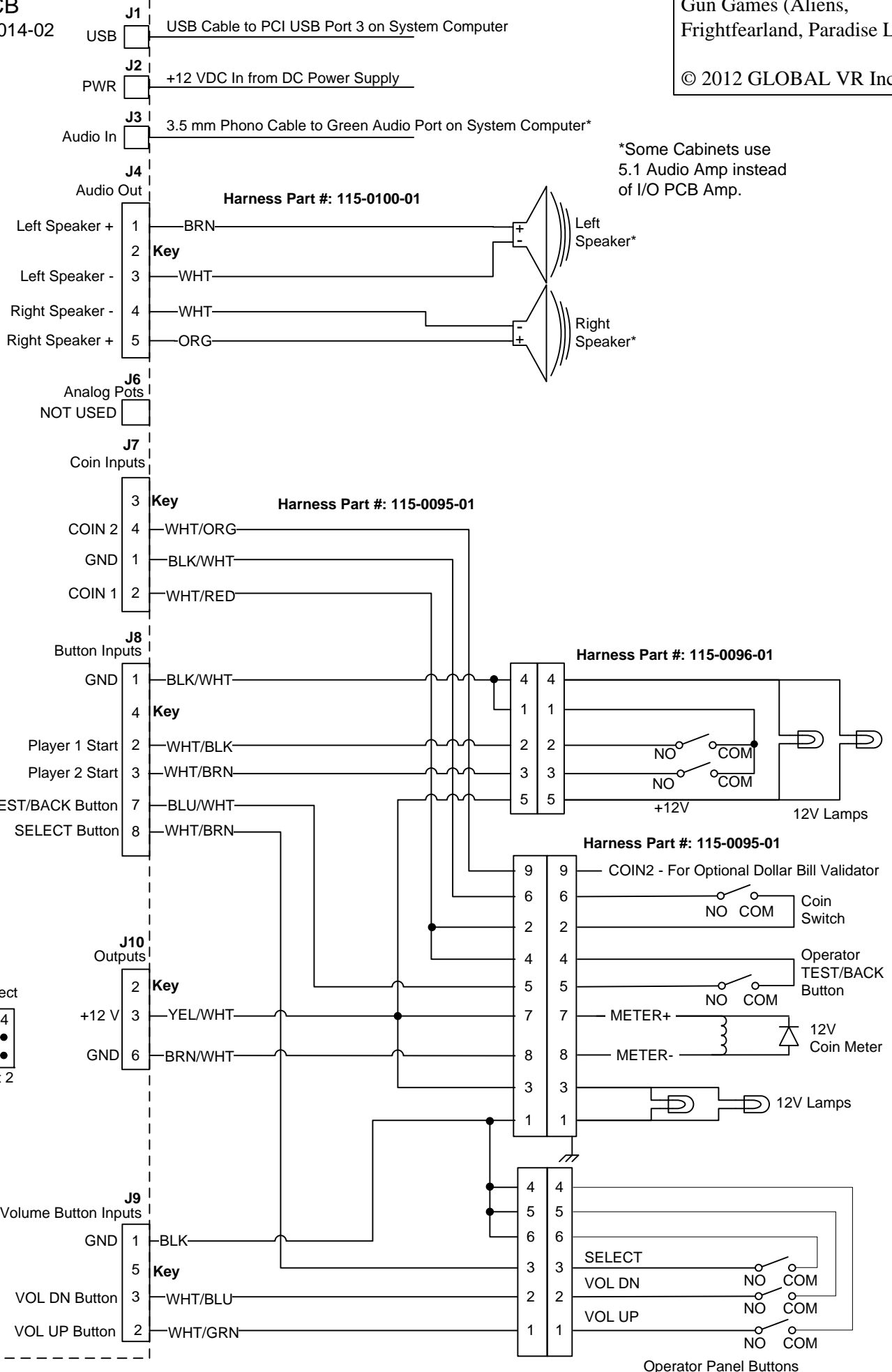


GVRI/O PCB

Part #: 990-0014-02

Detailed I/O Wiring Diagram for
Gun Games (Aliens,
Frightfearland, Paradise Lost)

© 2012 GLOBAL VR Inc.



NOTES: Wire colors & part numbers may vary due to harness revisions.
Unused pins are not shown.