

**PRODUCT:** EA SPORTS™ PGA TOUR® GOLF and  
EA GAMES™ *NEED FOR SPEED*  
with *Style A* Power Plate

**BULLETIN:** SB-010

**ISSUE:** Checking the Power Plate Wiring and Adding a  
Ground (Earth) Wire to the Coin Vault

**DATE:** 2/8/2005

Your cabinet must be properly wired and grounded to ensure safety and proper operation. This document describes how to check the connections on the AC power plate, and add a ground (earth) wire to the coin vault ground lug to ensure that grounding is adequate for the coin mech and player controls. Symptoms of inadequate grounding may include loss of player controls, coin input problems, and the computer freezing up.

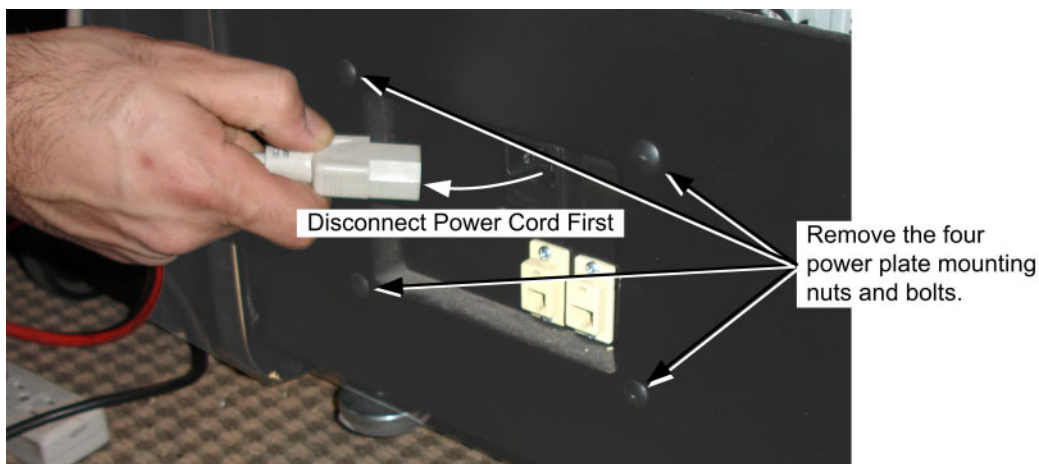
It is a good practice to purchase an AC Outlet Circuit Tester from a hardware store, and follow the manufacturer's instructions to check the cabinet power strip and your wall outlet. Follow the instructions in this document to correct any wiring problems and add the additional ground wire.

The procedures in this document apply only to cabinets with the *Style A* power plate. Refer to the picture below to determine which style of power plate is installed on your cabinet.



**WARNING: ELECTRIC SHOCK HAZARD.** Disconnect the cabinet power cord before performing the steps in this document.

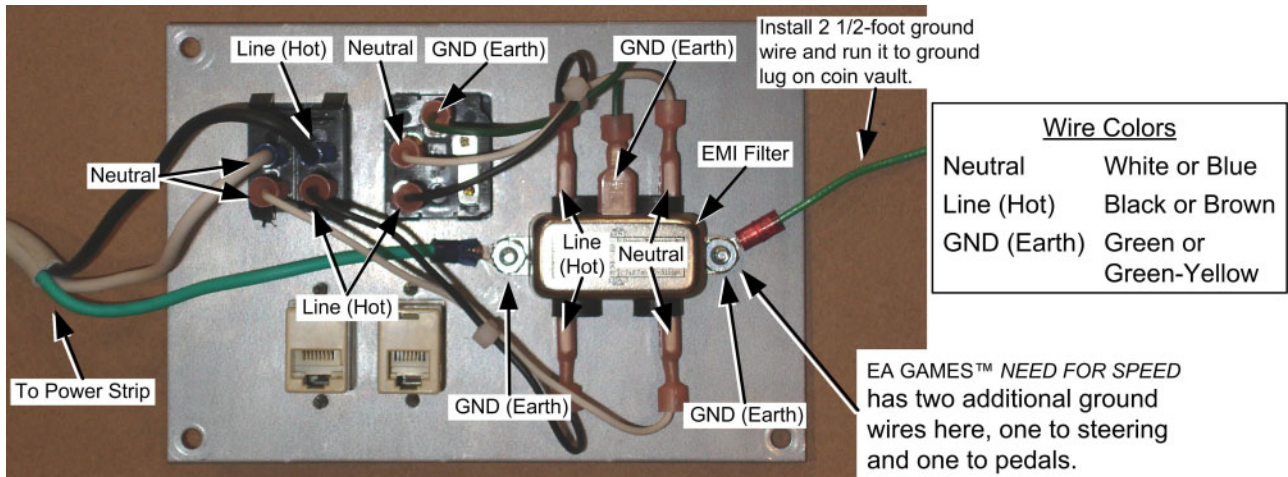
1. Disconnect the power cord from the cabinet.
2. Remove the four power plate mounting nuts and bolts and remove the power plate. If a grounding wire is connected to one of the mounting bolts, this is **not** an adequate ground. Connect that wire to the ground lug on the EMI filter, as described in the next part of this document.



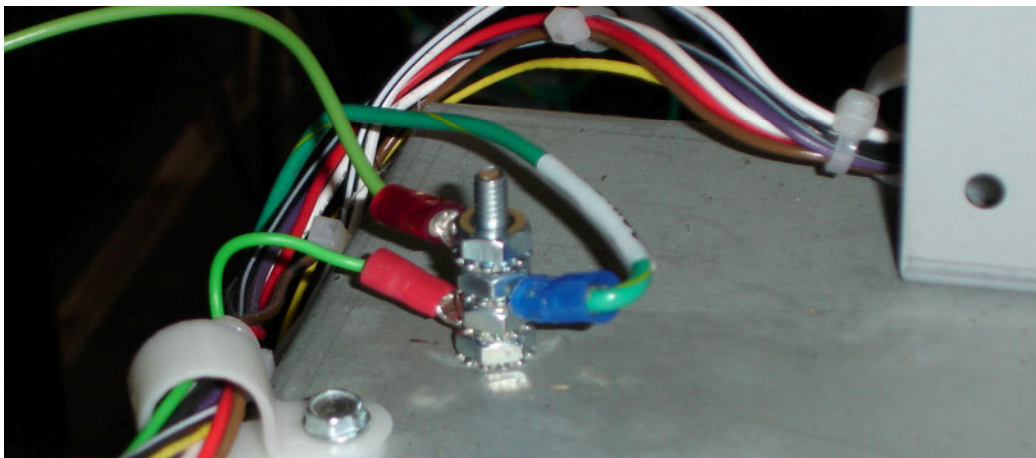
3. Refer to the picture below and inspect the power plate to make sure that the correct color wire is connected to each connector.
4. Inspect your cabinet to see if there is a ground wire from the ground lug on the EMI filter to the ground lug on the coin vault. If the wire is present, make sure it is tightly connected. Otherwise, install a ground wire as described in the next part of this document.

### Installing a Ground Wire

1. Install a 2 1/2' ground wire to the lug on the right of the EMI filter, as shown below. Use a #8-32 kep nut to secure it in place. Secure the nut tightly.



2. Locate the ground lug on the coin vault (coin box) and confirm the following wires are connected:
  - EA SPORTS™ PGA TOUR® GOLF: One wire to coin door. One wire to trackball.
  - EA GAMES™ *NEED FOR SPEED*: One wire to coin door.
3. Use a #8-32 Kep nut to connect the 2 1/2-foot ground wire that you installed on the power plate EMI filter to the coin vault ground lug, on top of the other ground wires, as shown below. Secure the nut tightly.



**Important:** All ground wires must be secured tightly!