

THE INFORMATION CONTAINED IN THIS DRAWING IS THE SOLE PROPERTY OF GLOBAL VR, INC. AND ANY REPRODUCTION IN PART OR WHOLE WITHOUT THE WRITTEN PERMISSION OF GLOBAL VR, INC. IS PROHIBITED.

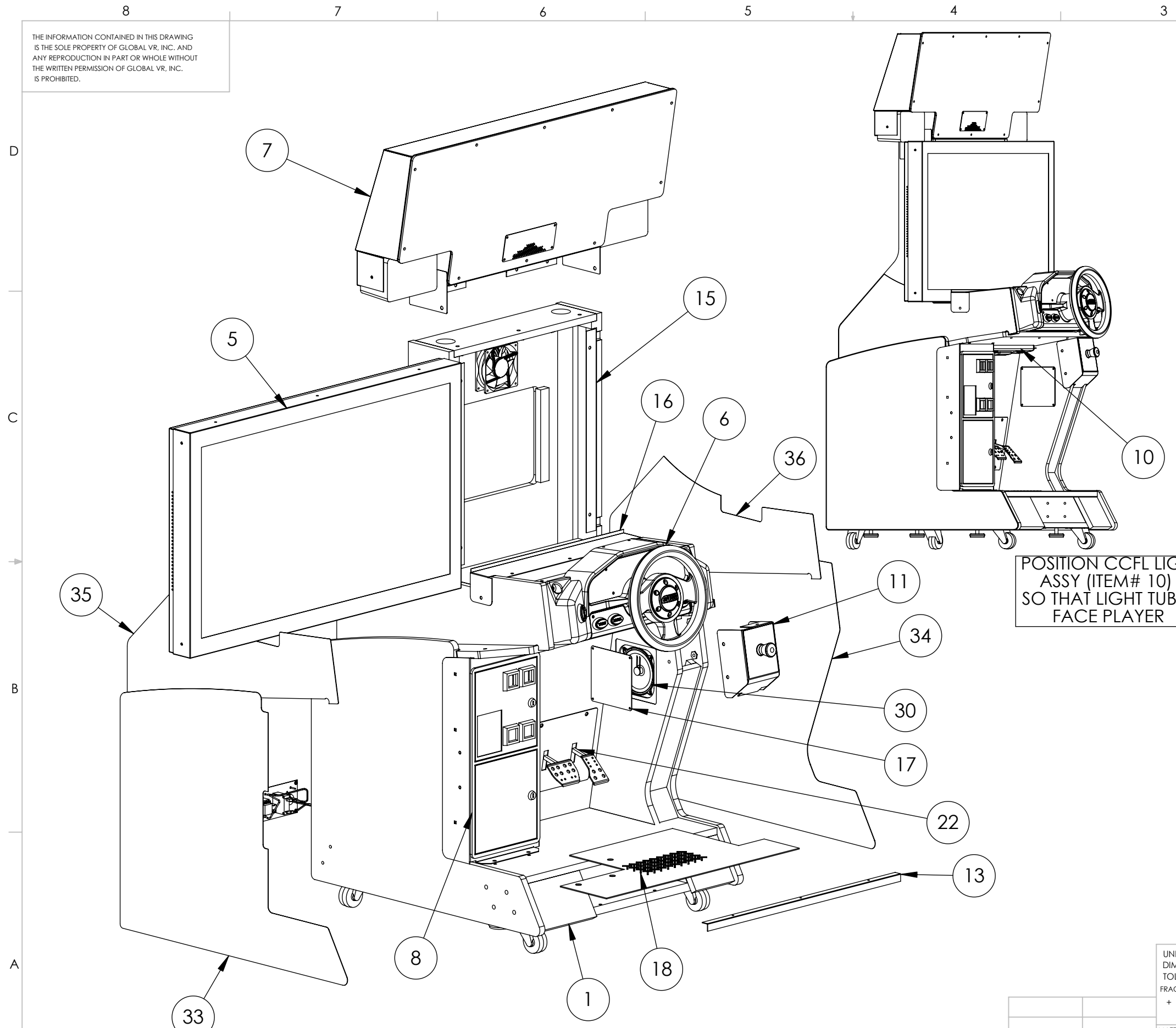
REVISIONS			
REV.	DESCRIPTION	DATE	APPROVED
A	PRODUCTION RELEASE	8-10-09	
B	ADDED [4] CABLES TO BOM	10-10-09	

**\* ITEMS #37 - #51 = CABLES / HARNESSSES \***

ITEM NO.	PART NUMBER	DESCRIPTION	QTY.
51	USB-AB06MM	CABLE-USB-6 FT-USB2-AB06	2
50	USB-EXT-6	CABLE-USB EXTENSION-A PLUG-A JACK	1
49	CBL-0803-X	CABLE-JACK-+-12VDC-GROUND-FG	1
48	115-0221-01	CABLE-E-STOP OUTPUT-MOTION SEAT	1
47	115-0168-01	CABLE-TRANSFORMER-COMLETE ASSY	1
46	115-0167-01	CABLE-GROUND-BRAKE PEDAL ASSY	1
45	115-0153-00	CABLE-FLOOR LIGHT POWER	1
44	115-0152-01	CABLE-COINDOOR-SERVICE BUTTONS	1
43	115-0150-01	CABLE-OUTPUTS-LEADER-START-COIN	1
42	115-0146-01	CABLE-GVR I/O-POWER-USB MAIN HARNESS	1
41	115-0145-01	CABLE-AUDIO AMP TO SEAT HARNESS	1
40	115-0008-01	CABLE-110VAC TO POWER SUPPLY	3
39	115-0007-01	CABLE-24VDC TO MOTOR AMP	1
38	115-0006-01	CABLE-MOTOR TO MOTOR AMP	1
37	115-0005-02	CABLE-STEER TO IMMERSION	1
36	NSR-AW-04	DECAL-RT LCD PANEL-TWISTED	1
35	NSR-AW-03	DECAL-LEFT LCD PANEL-TWISTED	1
34	NSR-AW-02	DECAL-RT SIDE PANEL-TWISTED	1
33	NSR-AW-01	DECAL-LEFT SIDE PANEL-TWISTED	1
32	FANGUARD	SUPPLIED W/ ITEM #31	1
31	115-0025-01	110VAC-FAN-GRILL-CABLE	1
30	50-9005-00	5.00" SPEAKER-SHIELDED-HAPP	1
29	49-0963-40	POWER STRIP-7 OUTLET-SURGE	1
28	COEM-GCE-H2P5A-HF	PCBA-IMMERSION-SINGLE	1
27	990-0014-CBN	PCBA-GVR MINI I/O-CARBON	1
26	990-0001-01	PCB ASSY-5.1 AUDIO AMP	1
25	44-1100	POWER SUPPLY 5V-12V	1
24	44-0600	POWER SUPPLY 24V	1
23	2-30-2434	X-FORMER-ISO-110VAC/220/VAC	1
22	50-0413-00	ASSY-NFSU DUAL PEDAL	1
21	45077-00	ASSY-CARBON-PC	1
20	60041-00	FOAM-BASE-CPU	1
19	60039-00	STRAP-CPU MOUNTING	1
18	26162-00	FLOOR MAT-CARBON STD	1
17	01-0045-LBH	GRILL-4" SPKR	1
16	37191-00	COVER - LCD BASE	1
15	37192-00	BRACKET-42"LCD CAB MOUNT	2
14	37194-00	BRACKET-QTR PANEL	4
13	37253-00	TRIM-FLOOR MAT	1
12	37270-00	PLATE-X-FORMER-SMALL	1
11	A90041-SAFE-SW	ASSY-SAFETY SWITCH	1
10	A90041-CCFL	ASSY-CCFL	1
9	A90041-POWER	ASSY-POWER PLATE-42" TWISTED	1
8	A90041-COIN	ASSY-COIN DOOR	1
7	A90041-MARQ	ASSY-MARQUEE-42" TWISTED	1
6	A90041-DASH	ASSY-CONTROL PANEL-TWISTED	1
5	A90041-LCD	ASSY-42"LCD	1
4	25297-00	PANEL-ACCESS-42"DRIVER	1
3	25296-00	ASSY-LCD DOOR-42"DRIVER	1
2	25295-00	ASSY-REAR DOOR-42"DRIVER	1
1	25294-00	ASSY-MAIN CAB-42"DRIVER	1

ITEMS NOT SHOWN

POSITION CCFL LIGHT ASSY (ITEM# 10) SO THAT LIGHT TUBES FACE PLAYER



# MOTION ASSY

UNLESS OTHERWISE SPECIFIED DIMENSIONS ARE IN INCHES TOLERANCES ARE:  
 FRACTIONS DECIMALS ANGLES  
 + .XX ± .02 ± .5°  
 .XXX ± .010

CAD GENERATED DRAWING, DO NOT MANUALLY UPDATE  
 APPROVALS DATE  
 DRAWN MARK GRUBER 8-10-09  
 CHECKED  
 PROJ ENG  
 COMP ENG  
 DESIGN ENG

GLOBAL VR  
 2350 Zanker Road  
 San Jose, CA 95131

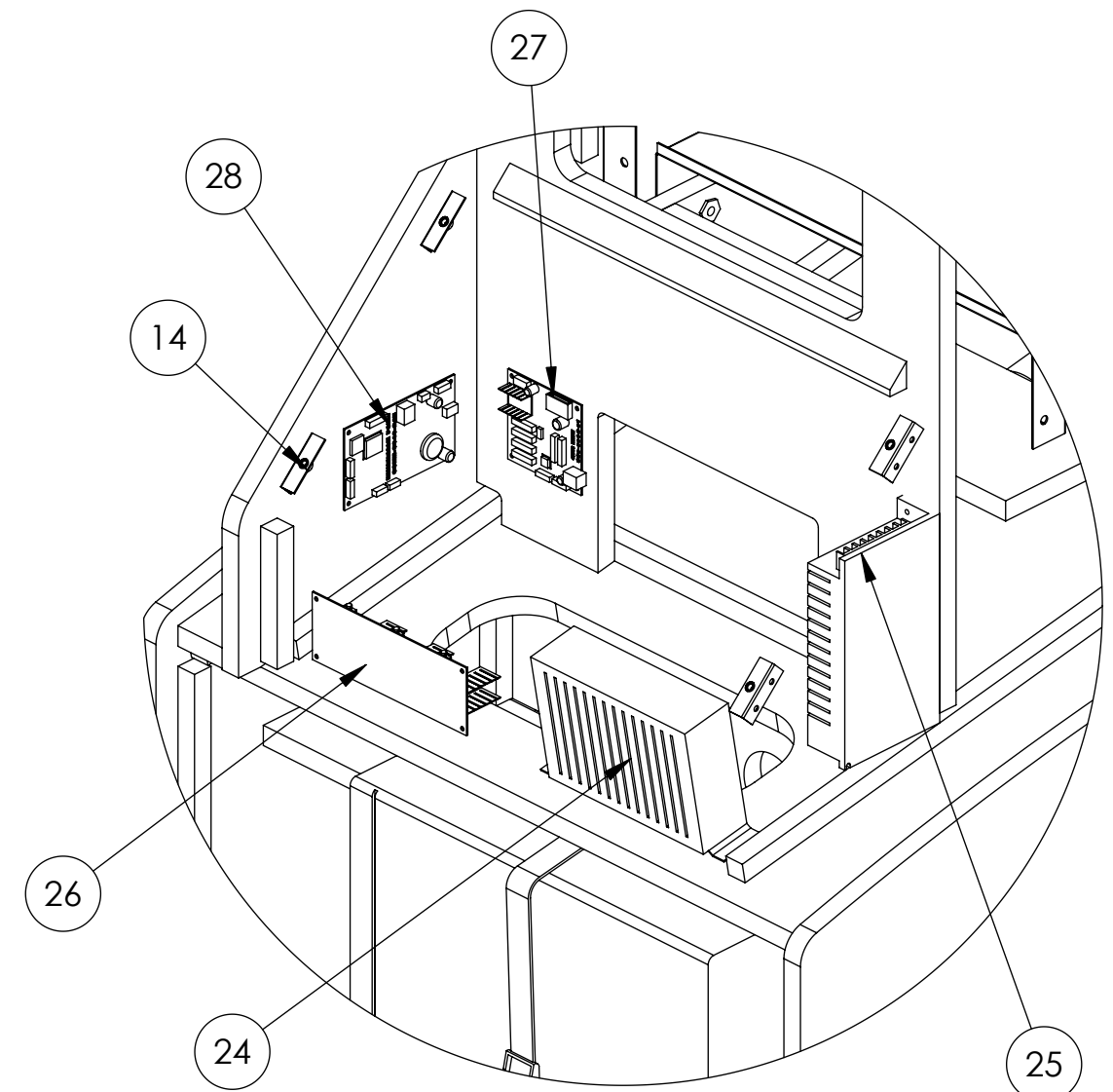
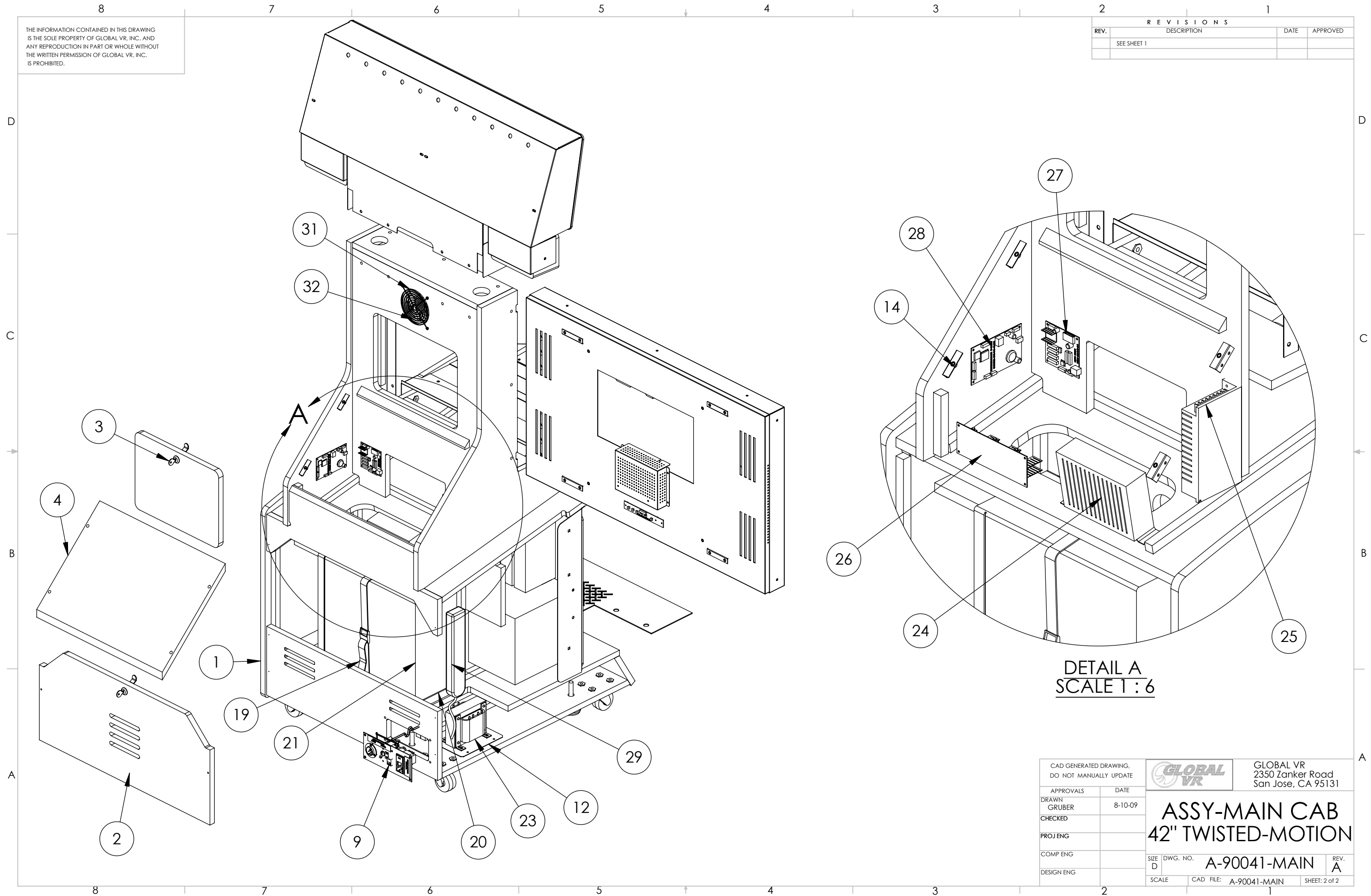
## ASSY-MAIN CAB 42" TWISTED-MOTION

SIZE DWG. NO. A-90041-MAIN REV. B  
 SCALE CAD FILE: A-90041-MAIN SHEET 1 OF 2

NEXT ASSY	USED ON
APPLICATION	DO NOT SCALE DRAWING

THE INFORMATION CONTAINED IN THIS DRAWING IS THE SOLE PROPERTY OF GLOBAL VR, INC. AND ANY REPRODUCTION IN PART OR WHOLE WITHOUT THE WRITTEN PERMISSION OF GLOBAL VR, INC. IS PROHIBITED.

REVISIONS			
REV.	DESCRIPTION	DATE	APPROVED
	SEE SHEET 1		



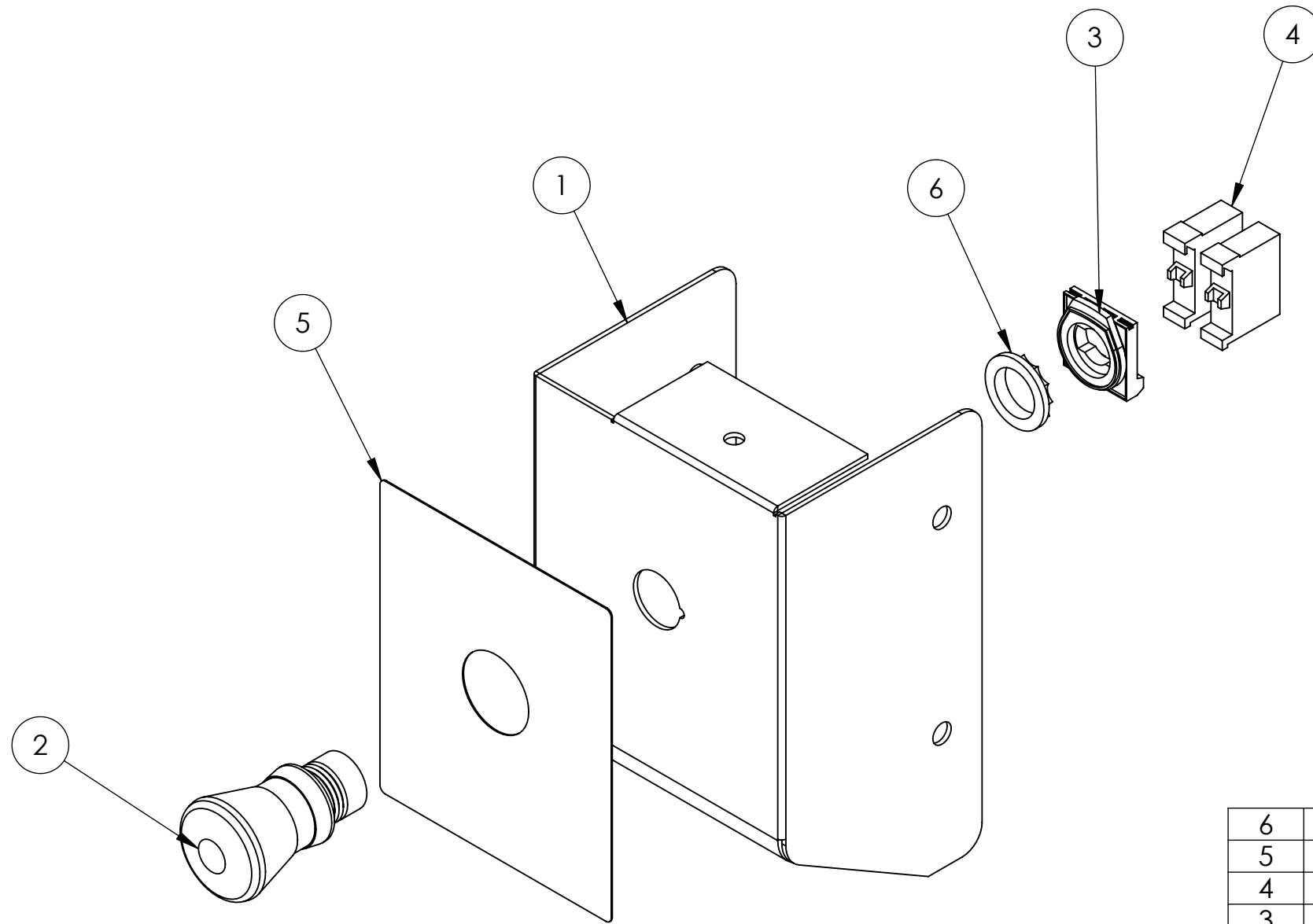
**DETAIL A**  
**SCALE 1 : 6**

CAD GENERATED DRAWING, DO NOT MANUALLY UPDATE	
APPROVALS	DATE
DRAWN GRUBER	8-10-09
CHECKED	
PROJ ENG	
COMP ENG	
DESIGN ENG	

		GLOBAL VR 2350 Zanker Road San Jose, CA 95131	
<h1>ASSY-MAIN CAB</h1> <h2>42" TWISTED-MOTION</h2>			
SIZE D	DWG. NO. A-90041-MAIN	REV. A	
SCALE	CAD FILE: A-90041-MAIN	SHEET: 2 of 2	

THE INFORMATION CONTAINED IN THIS DRAWING IS THE SOLE PROPERTY OF GLOBAL VR, INC. AND ANY REPRODUCTION IN PART OR WHOLE WITHOUT THE WRITTEN PERMISSION OF GLOBAL VR, INC. IS PROHIBITED.

R E V I S I O N S			
REV.	DESCRIPTION	DATE	APPROVED
A	PRODUCTION RELEASE	8-5-09	



6	NUT	SUPPLIED W/ ITEM#2	1
5	NSR42-AW-02	DECAL-E-STOP-TWISTED	1
4	ELC-0012-01	SWITCH-CONTACT-800FX01	2
3	ELC-0112-1	LATCH-E-STOP-PUSHBTN-800FALM	1
2	ELC-0005-1	PUSHBUTTON-E-STOP-800FMMP44	1
1	37322-00	BRACKET-SAFETY SWITCH	1
ITEM NO.	PART NUMBER	DESCRIPTION	QTY.

UNLESS OTHERWISE SPECIFIED  
DIMENSIONS ARE IN INCHES  
TOLERANCES ARE:  
FRACTIONS DECIMALS ANGLES  
+ .XX ± .02 ± .5°  
.XXX ± .010

CAD GENERATED DRAWING,  
DO NOT MANUALLY UPDATE



GLOBAL VR  
2350 Zanker Road  
San Jose, CA 95131

APPROVALS DATE  
DRAWN GRUBER 8-4-09

CHECKED

PROJ ENG

COMP ENG

DESIGN ENG

## ASSY-SAFETY SWITCH MOTION SEAT

SIZE DWG. NO. A90041-SAFE-SW REV. A

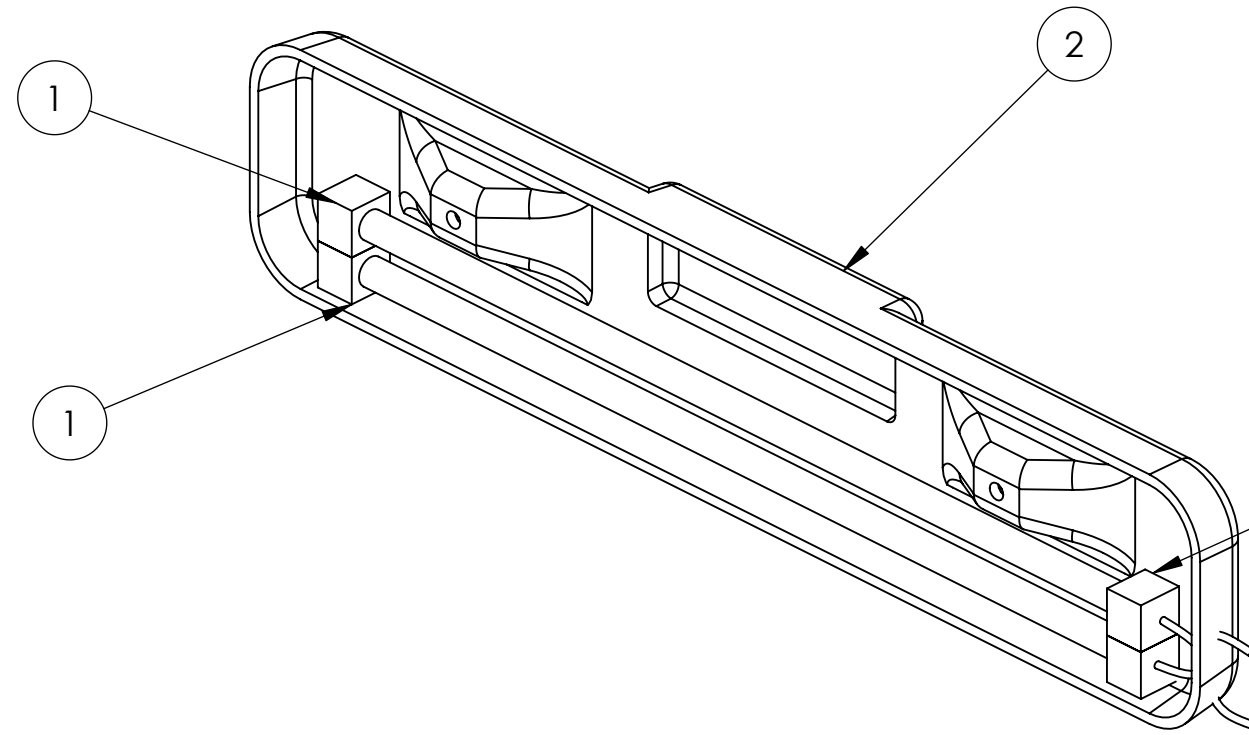
SCALE: CAD FILE: A90041-SAFE-SW SHEET: 1 of 1

NEXT ASSY	USED ON
APPLICATION	

DO NOT SCALE DRAWING


THE INFORMATION CONTAINED IN THIS DRAWING IS THE SOLE PROPERTY OF GLOBAL VR, INC. AND ANY REPRODUCTION IN PART OR WHOLE WITHOUT THE WRITTEN PERMISSION OF GLOBAL VR, INC. IS PROHIBITED.

R E V I S I O N S			
REV.	DESCRIPTION	DATE	APPROVED
A	PRODUCTION RELEASE	8-2-09	



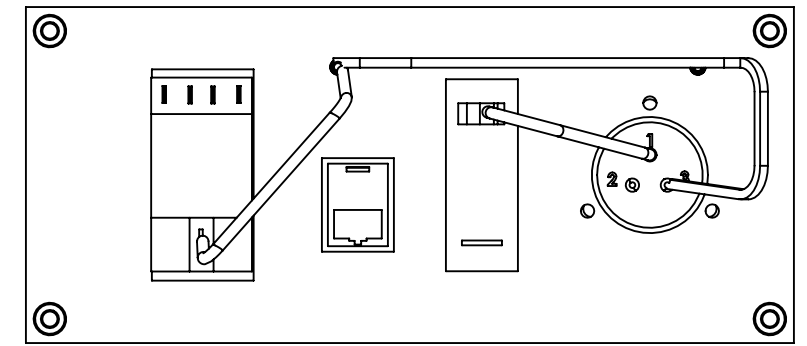
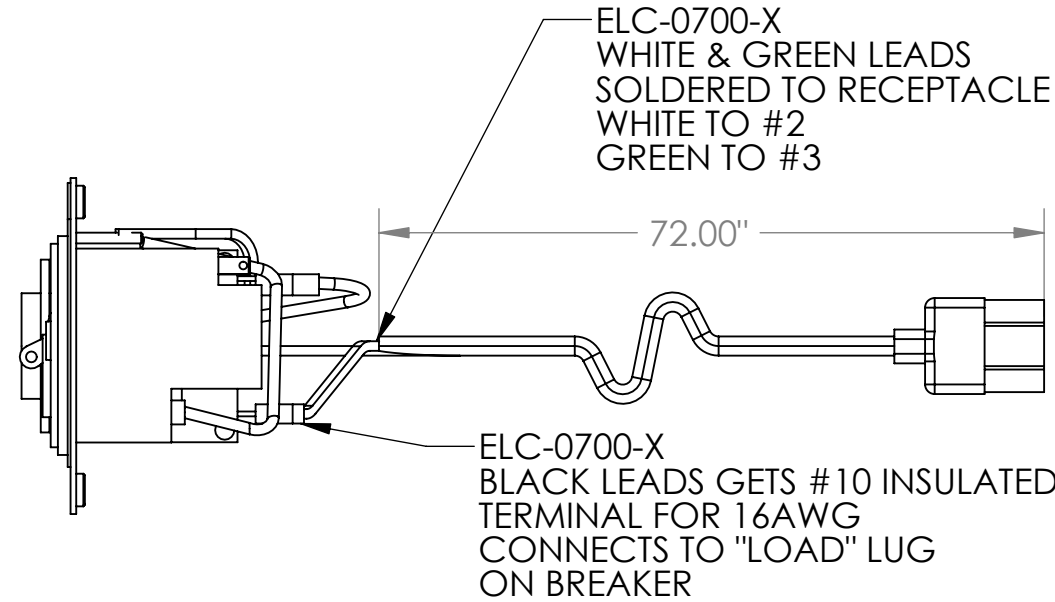
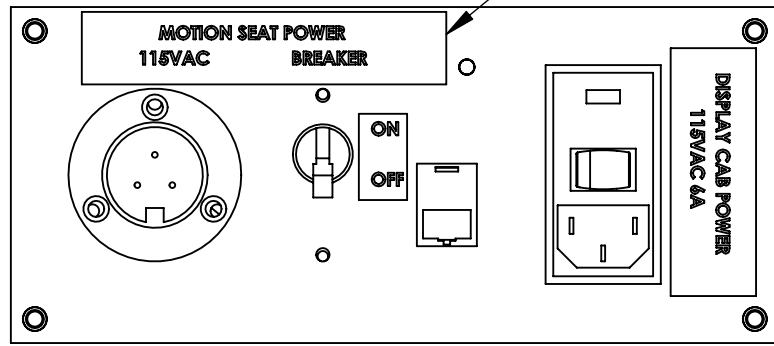
ATTACHED CCFL TUBES TO LIGHT COVER USING DOUBLE-STICK TAPE PROVIDED W/ LIGHT TUBES

2	26146-00	COVER-MOLDED LIGHT	1
1	CCFL2R	ASSY-RED CCFL LIGHT KIT (INCLUDES 2 BULBS & INVERTER)	1SET
ITEM NO.	PART NUMBER	DESCRIPTION	QTY.

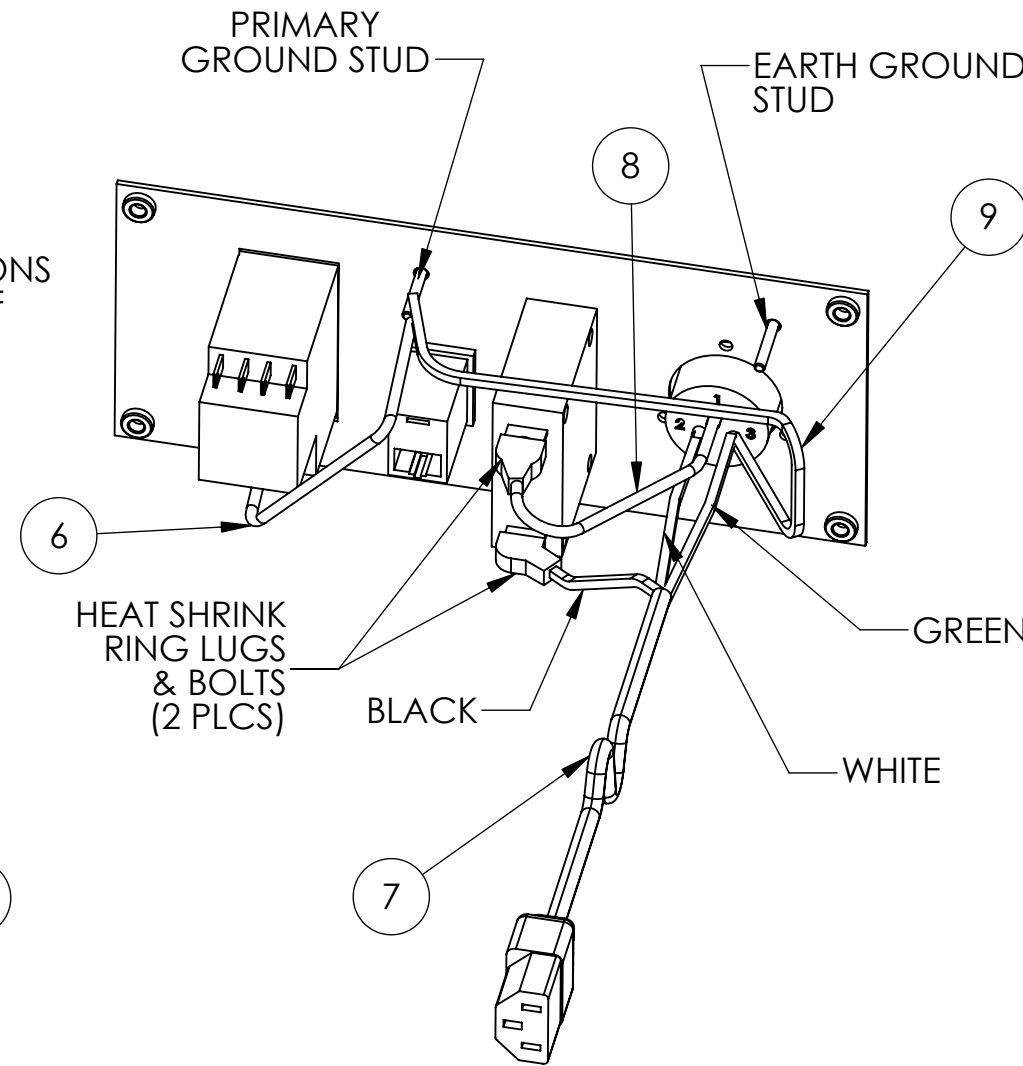
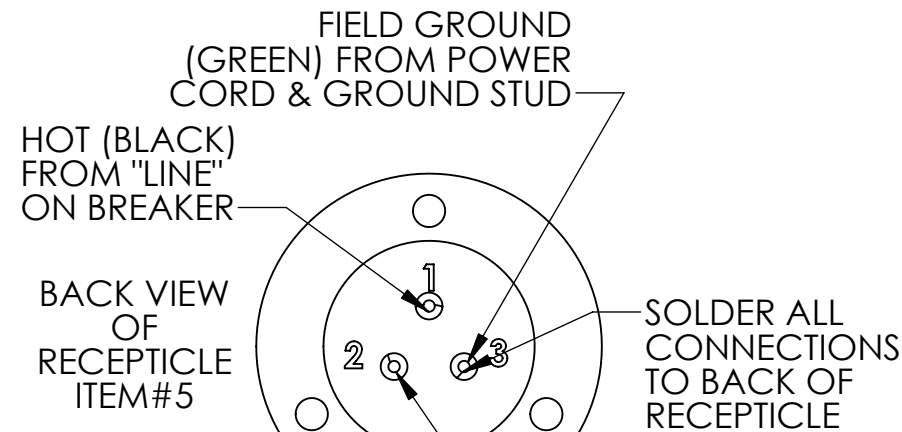
UNLESS OTHERWISE SPECIFIED DIMENSIONS ARE IN INCHES TOLERANCES ARE: FRACTIONS DECIMALS ANGLES + .XX ± .02 ± .5° .XXX ± .010		CAD GENERATED DRAWING, DO NOT MANUALLY UPDATE		 GLOBAL VR 2350 Zanker Road San Jose, CA 95131	
MATERIAL		APPROVALS	DATE	<b>ASSEMBLY-CCFL UNDERDASH</b>  SIZE D DWG. NO. <b>A90041-CCFL</b> REV. <b>A</b> SCALE CAD FILE: A90041-CCFL SHEET 1 OF 1	
FINISH		MARK GRUBER	8-2-09		
NEXT ASSY USED ON		CHECKED			
APPLICATION		PROJ ENG			
		COMP ENG			
		DESIGN ENG			
		DO NOT SCALE DRAWING			

THE INFORMATION CONTAINED IN THIS DRAWING IS THE SOLE PROPERTY OF GLOBAL VR, INC. AND ANY REPRODUCTION IN PART OR WHOLE WITHOUT THE WRITTEN PERMISSION OF GLOBAL VR, INC. IS PROHIBITED.

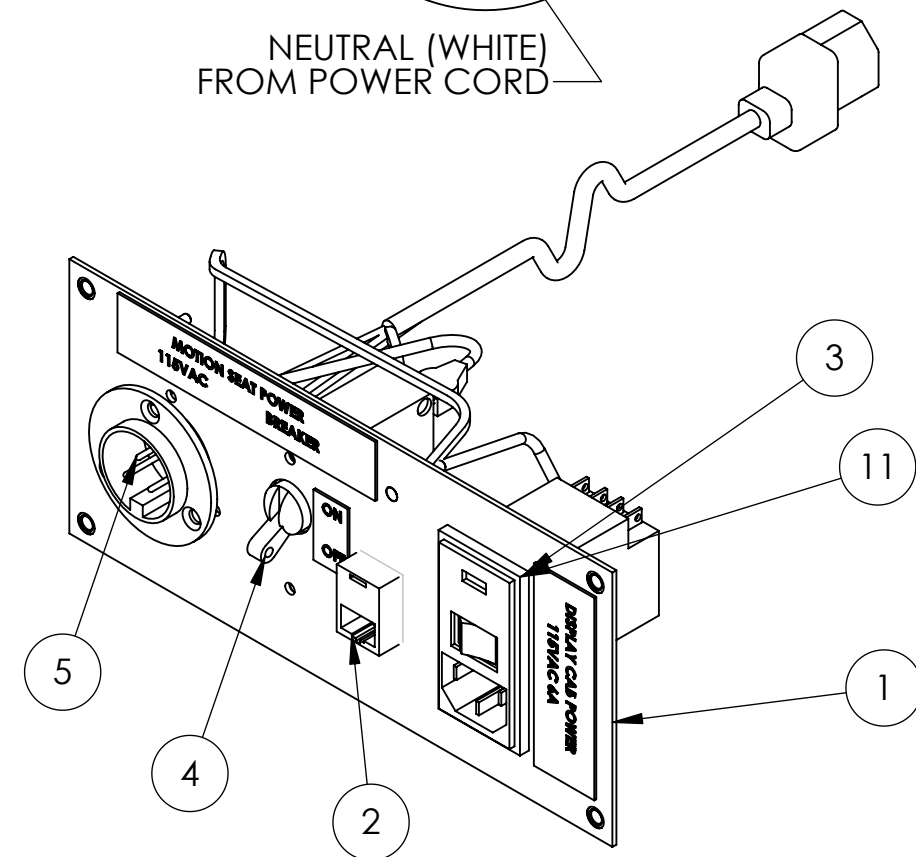
REVISIONS			
REV.	DESCRIPTION	DATE	APPROVED
A	PRODUCTION RELEASE	8-4-09	
B	CHANGED LABELS & ADDED CABLES AND DETAIL	9-25-09	
C	CHANGED CABLE # ELC-0700-X TO 115-0222-01	10-10-09	



VIEW SHOWN WITHOUT ITEM#7



ITEM NO.	PART NUMBER	DESCRIPTION	QTY.
11	0001.2512	FUSE - 6 AMP - 5MM X 20MM	1
10	L-0166	LABEL-MINI-MOTION-POWER PLATE	1
9	115-0224-01	CABLE-GROUND LEAD-MOTION SEAT	1
8	115-0223-01	CABLE-POWER LEAD-MOTION SEAT	1
7	115-0222-01	CABLE-INTERNAL SEAT POWER	1
6	115-0049-01	CABLE - POWER PLATE GROUND	1
5	HW-63CBE	POWER RECEPTACLE-CIRCULAR	1
4	HW-63BE	BREAKER-POWER-30A-125/250VAC	1
3	CCM1600-ND	POWER ENRTY MODULE - EMI FILTER	1
2	555-052-1	RJ45 - PLUG-IN CONNECTOR	1
1	37327-00	PLATE-POWER-MOTION SEAT	1



UNLESS OTHERWISE SPECIFIED DIMENSIONS ARE IN INCHES TOLERANCES ARE:  
 FRACTIONS DECIMALS ANGLES  
 + .XX ± .02 ± .5°  
 .XXX ± .010

CAD GENERATED DRAWING, DO NOT MANUALLY UPDATE  
 APPROVALS DATE  
 DRAWN GRUBER 8-5-09  
 CHECKED  
 PROJ ENG  
 COMP ENG  
 DESIGN ENG

GLOBAL VR  
 GLOBAL VR  
 2350 Zanker Road  
 San Jose, CA 95131

**ASSEMBLY  
 POWER PLATE  
 42" TWISTED**

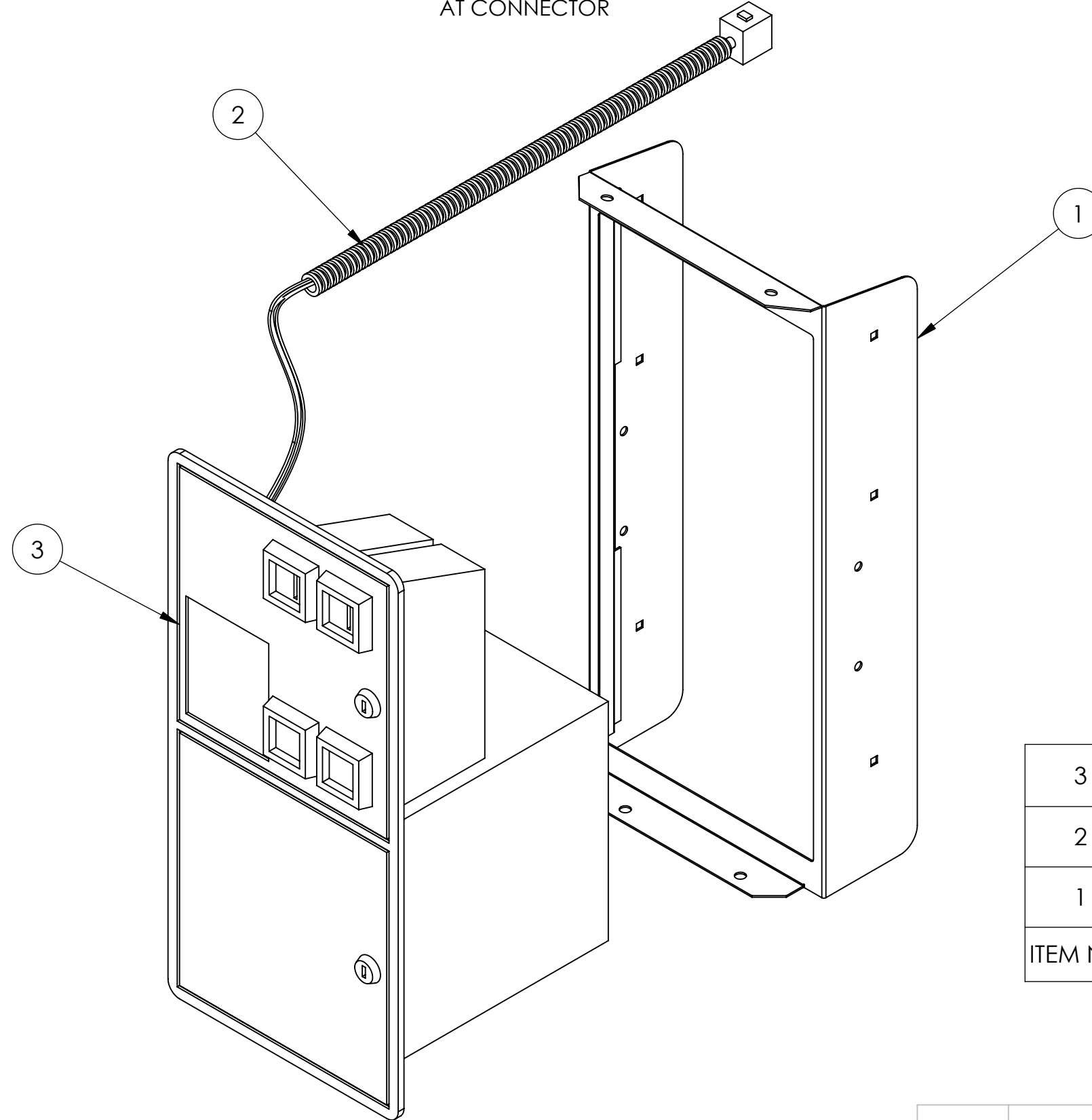
SIZE D DWG. NO. A90041-POWER REV. C  
 SCALE CAD FILE: A90041-POWER SHEET 1 OF 1

NEXT ASSY	USED ON
APPLICATION	
DO NOT SCALE DRAWING	

THE INFORMATION CONTAINED IN THIS DRAWING IS THE SOLE PROPERTY OF GLOBAL VR, INC. AND ANY REPRODUCTION IN PART OR WHOLE WITHOUT THE WRITTEN PERMISSION OF GLOBAL VR, INC. IS PROHIBITED.

R E V I S I O N S			
REV.	DESCRIPTION	DATE	APPROVED
A	PRODUCTION RELEASE	8-2-09	

INSTALL CONVOLUTED SLEEVE 18" AROUND DBV HARNESS (ON COIN DOOR ASSY) STARTING AT CONNECTOR



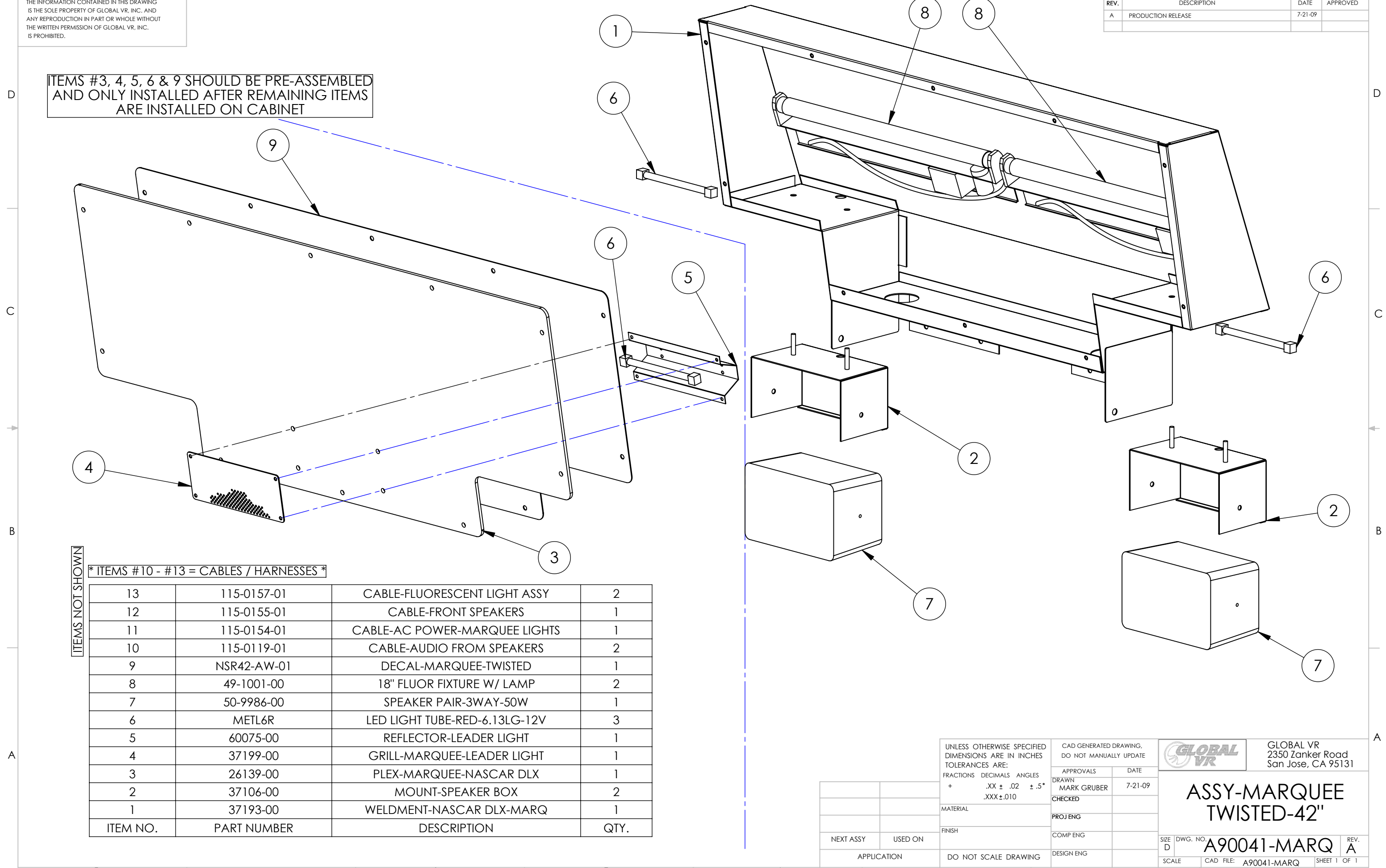
ITEM NO.	PART NUMBER	DESCRIPTION	QTY.
3	40-0740-6V	MID-WIDTH COINDOOR W/ 4-BTN SERV - 6V	1
2	2569K24	CONVOLUTED SLEEVE 18" LONG	1
1	37249-00	BRACKET-MIDWIDTH COINDOOR-CARBON	1

UNLESS OTHERWISE SPECIFIED DIMENSIONS ARE IN INCHES TOLERANCES ARE: FRACTIONS DECIMALS ANGLES + .XX ± .02 ± .5° .XXX ± .010		CAD GENERATED DRAWING, DO NOT MANUALLY UPDATE	<b>GLOBAL VR</b>	GLOBAL VR 2350 Zanker Road San Jose, CA 95131
APPROVALS DRAWN MARK GRUBER CHECKED		DATE 8-2-09	<b>ASS'Y-COINDOOR TWISTED</b>	
MATERIAL		PROJ ENG		
FINISH		COMP ENG		
NEXT ASSY	USED ON	DESIGN ENG	SIZE D	DWG. NO. <b>A90041-COIN</b> REV. <b>A</b>
APPLICATION		DO NOT SCALE DRAWING	SCALE	CAD FILE: A90032-COIN SHEET 1 OF 1

THE INFORMATION CONTAINED IN THIS DRAWING IS THE SOLE PROPERTY OF GLOBAL VR, INC. AND ANY REPRODUCTION IN PART OR WHOLE WITHOUT THE WRITTEN PERMISSION OF GLOBAL VR, INC. IS PROHIBITED.

REVISIONS			
REV.	DESCRIPTION	DATE	APPROVED
A	PRODUCTION RELEASE	7-21-09	

ITEMS #3, 4, 5, 6 & 9 SHOULD BE PRE-ASSEMBLED AND ONLY INSTALLED AFTER REMAINING ITEMS ARE INSTALLED ON CABINET



ITEMS NOT SHOWN

\* ITEMS #10 - #13 = CABLES / HARNESES \*

ITEM NO.	PART NUMBER	DESCRIPTION	QTY.
13	115-0157-01	CABLE-FLUORESCENT LIGHT ASSY	2
12	115-0155-01	CABLE-FRONT SPEAKERS	1
11	115-0154-01	CABLE-AC POWER-MARQUEE LIGHTS	1
10	115-0119-01	CABLE-AUDIO FROM SPEAKERS	2
9	NSR42-AW-01	DECAL-MARQUEE-TWISTED	1
8	49-1001-00	18" FLUOR FIXTURE W/ LAMP	2
7	50-9986-00	SPEAKER PAIR-3WAY-50W	1
6	METL6R	LED LIGHT TUBE-RED-6.13LG-12V	3
5	60075-00	REFLECTOR-LEADER LIGHT	1
4	37199-00	GRILL-MARQUEE-LEADER LIGHT	1
3	26139-00	PLEX-MARQUEE-NASCAR DLX	1
2	37106-00	MOUNT-SPEAKER BOX	2
1	37193-00	WELDMNT-NASCAR DLX-MARQ	1

UNLESS OTHERWISE SPECIFIED DIMENSIONS ARE IN INCHES TOLERANCES ARE:  
 FRACTIONS DECIMALS ANGLES  
 + .XX ± .02 ± .5°  
 .XXX ± .010

CAD GENERATED DRAWING, DO NOT MANUALLY UPDATE

APPROVALS	DATE
DRAWN MARK GRUBER	7-21-09
CHECKED	
PROJ ENG	
COMP ENG	
DESIGN ENG	

**GLOBAL VR**  
 GLOBAL VR  
 2350 Zanker Road  
 San Jose, CA 95131

**ASSY-MARQUEE TWISTED-42"**

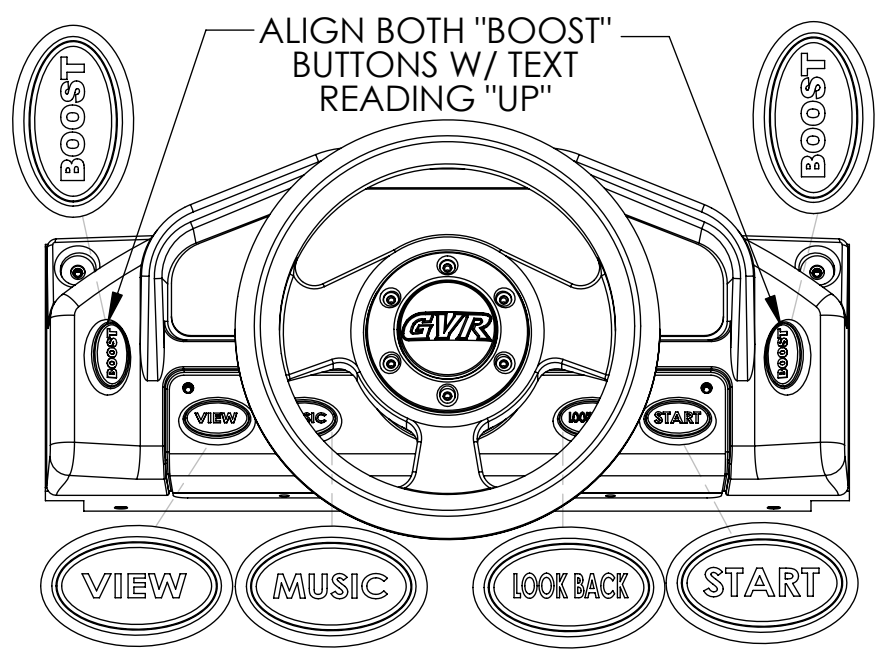
SIZE D	DWG. NO. A90041-MARQ	REV. A
SCALE	CAD FILE: A90041-MARQ	SHEET 1 OF 1

NEXT ASSY	USED ON
APPLICATION	DO NOT SCALE DRAWING

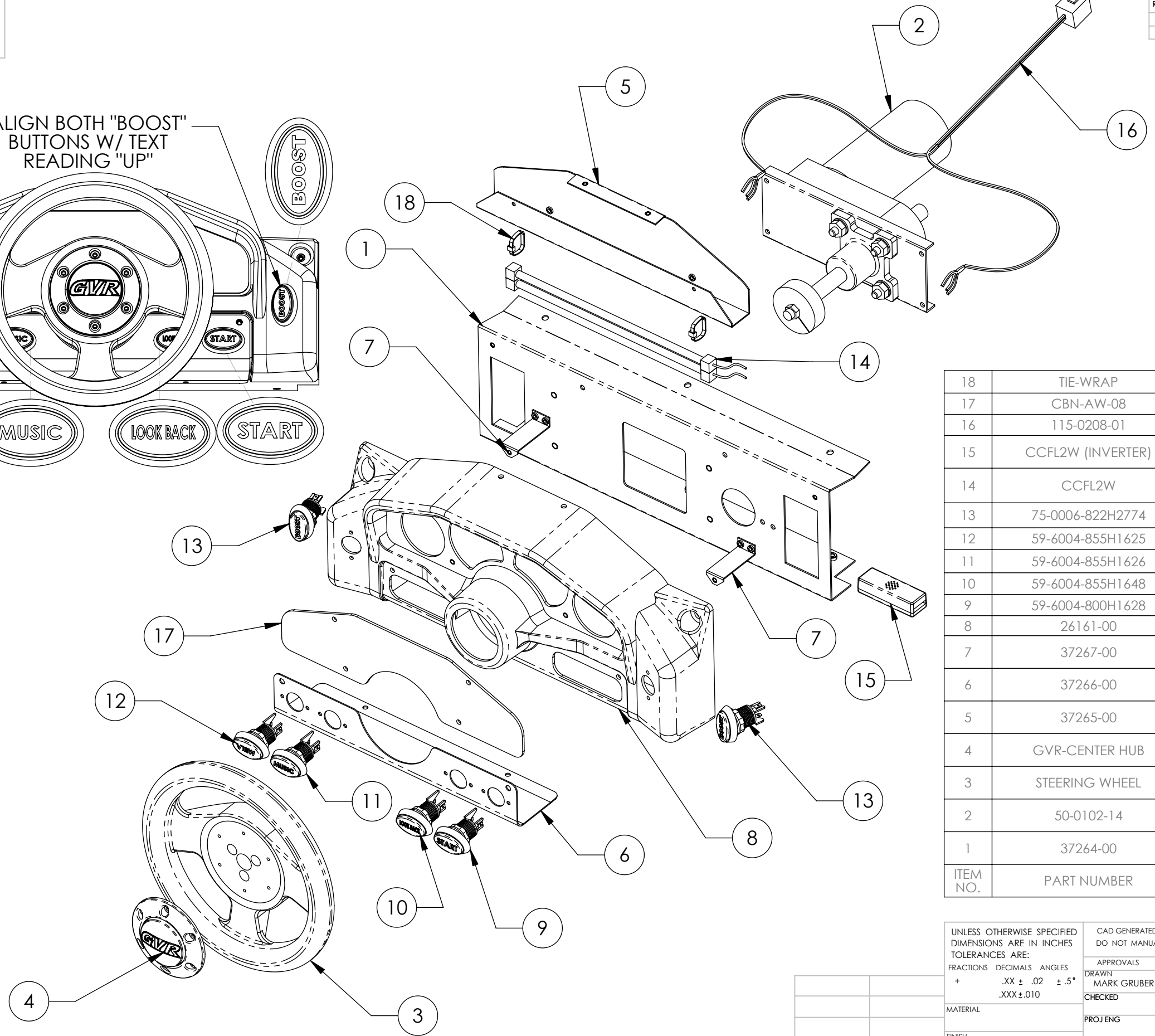
THE INFORMATION CONTAINED IN THIS DRAWING IS THE SOLE PROPERTY OF GLOBAL VR, INC. AND ANY REPRODUCTION IN PART OR WHOLE WITHOUT THE WRITTEN PERMISSION OF GLOBAL VR, INC. IS PROHIBITED.

REVISIONS			
REV.	DESCRIPTION	DATE	APPROVED
A	PRODUCTION RELEASE	7-21-09	

D  
C  
B  
A



ALIGN BOTH "BOOST" BUTTONS W/ TEXT READING "UP"



ITEM NO.	PART NUMBER	DESCRIPTION	QTY.
18	TIE-WRAP	6.00"LG WHITE TIE-WRAP	2
17	CBN-AW-08	DECAL-DASHBOARD-CARBON	1
16	115-0208-01	CABLE-CONTROL PANEL-CARBON	1
15	CCFL2W (INVERTER)	CCFL INVERTER (SUPPLIED WITH ITEM#14)	1
14	CCFL2W	WHITE CCFL LIGHT KIT W/ (2) CCFL TUBES & INVERTER	1
13	75-0006-822H2774	BOOST-BUTTON	2
12	59-6004-855H1625	NFS-VIEW BUTTON	1
11	59-6004-855H1626	NFS-MUSIC BUTTON	1
10	59-6004-855H1648	NFS-LOOKBACK BUTTON	1
9	59-6004-800H1628	NFS-START BUTTON	1
8	26161-00	DASHBOARD-FORMED-CARBON	1
7	37267-00	BRACKET-SWITCH MOUNT CARBON	2
6	37266-00	BRACKET-SWITCH-PLATE CARBON	1
5	37265-00	BRACKET-LIGHT CONTROL PANEL-CARBON	1
4	GVR-CENTER HUB	HUB-CENTER-GVR SUPPLIED W/50-0102-14	1
3	STEERING WHEEL	WHEEL-STEERING SUPPLIED W/50-0102-14	1
2	50-0102-14	ASSY-STEER-NFSU W/MOTOR-WHEEL-HUB	1
1	37264-00	CONTROL PANEL CARBON	1

UNLESS OTHERWISE SPECIFIED DIMENSIONS ARE IN INCHES TOLERANCES ARE:  
 FRACTIONS DECIMALS ANGLES  
 + .XX ± .02 ± .5°  
 .XXX ± .010

CAD GENERATED DRAWING, DO NOT MANUALLY UPDATE

APPROVALS  
 DRAWN MARK GRUBER  
 CHECKED  
 PROJ ENG  
 COMP ENG  
 DESIGN ENG

DATE  
 7-21-09

DO NOT SCALE DRAWING

**GLOBAL VR**  
 GLOBAL VR  
 2350 Zanker Road  
 San Jose, CA 95131

**ASSEMBLY CONTROL PANEL TWISTED**

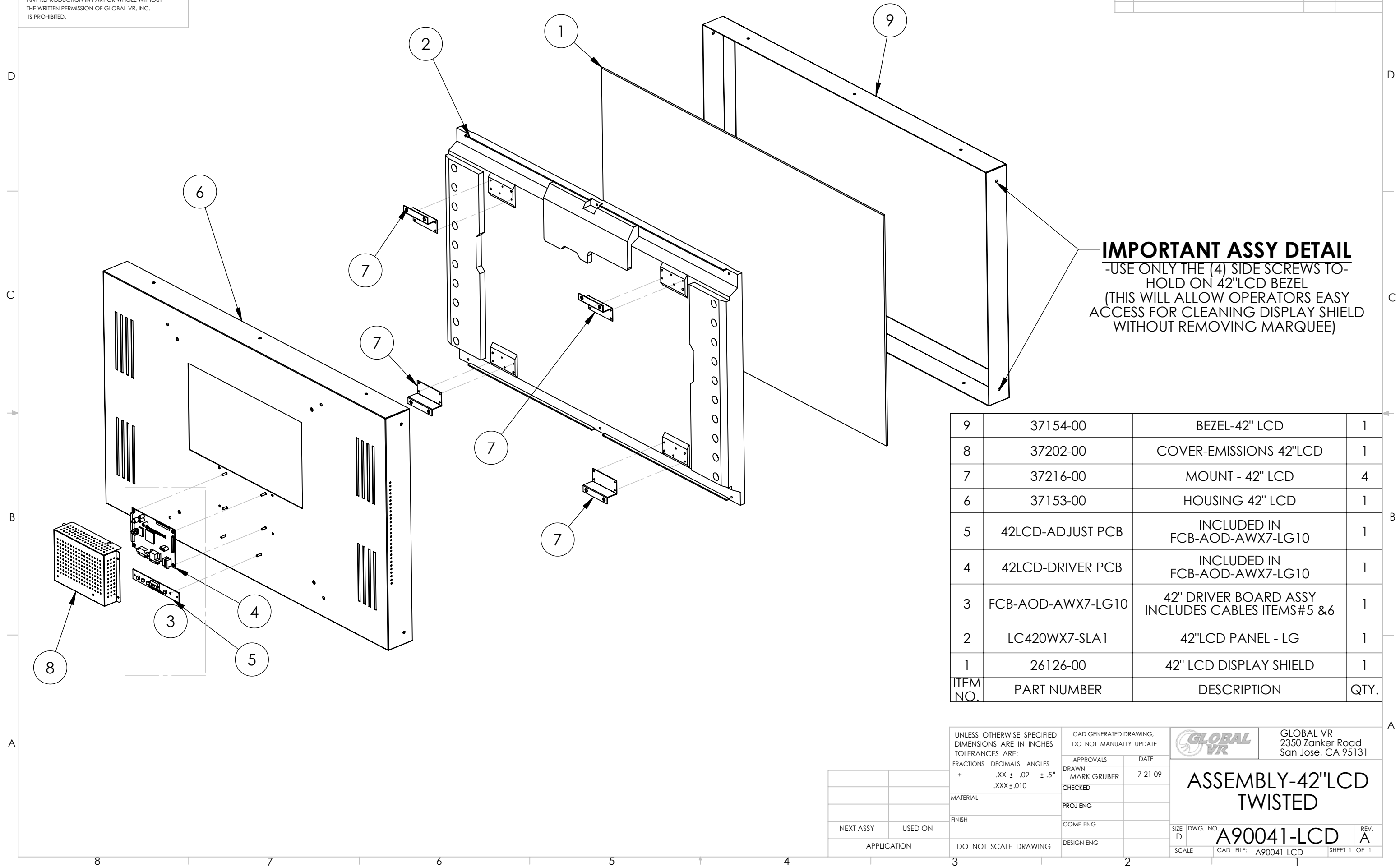
SIZE DWG. NO. REV.  
 D A90041-DASH A

SCALE CAD FILE: A90041-DASH SHEET 1 OF 1

8 7 6 5 4 3 2 1

THE INFORMATION CONTAINED IN THIS DRAWING IS THE SOLE PROPERTY OF GLOBAL VR, INC. AND ANY REPRODUCTION IN PART OR WHOLE WITHOUT THE WRITTEN PERMISSION OF GLOBAL VR, INC. IS PROHIBITED.

REVISIONS			
REV.	DESCRIPTION	DATE	APPROVED
A	PRODUCTION RELEASE	8-5-08	

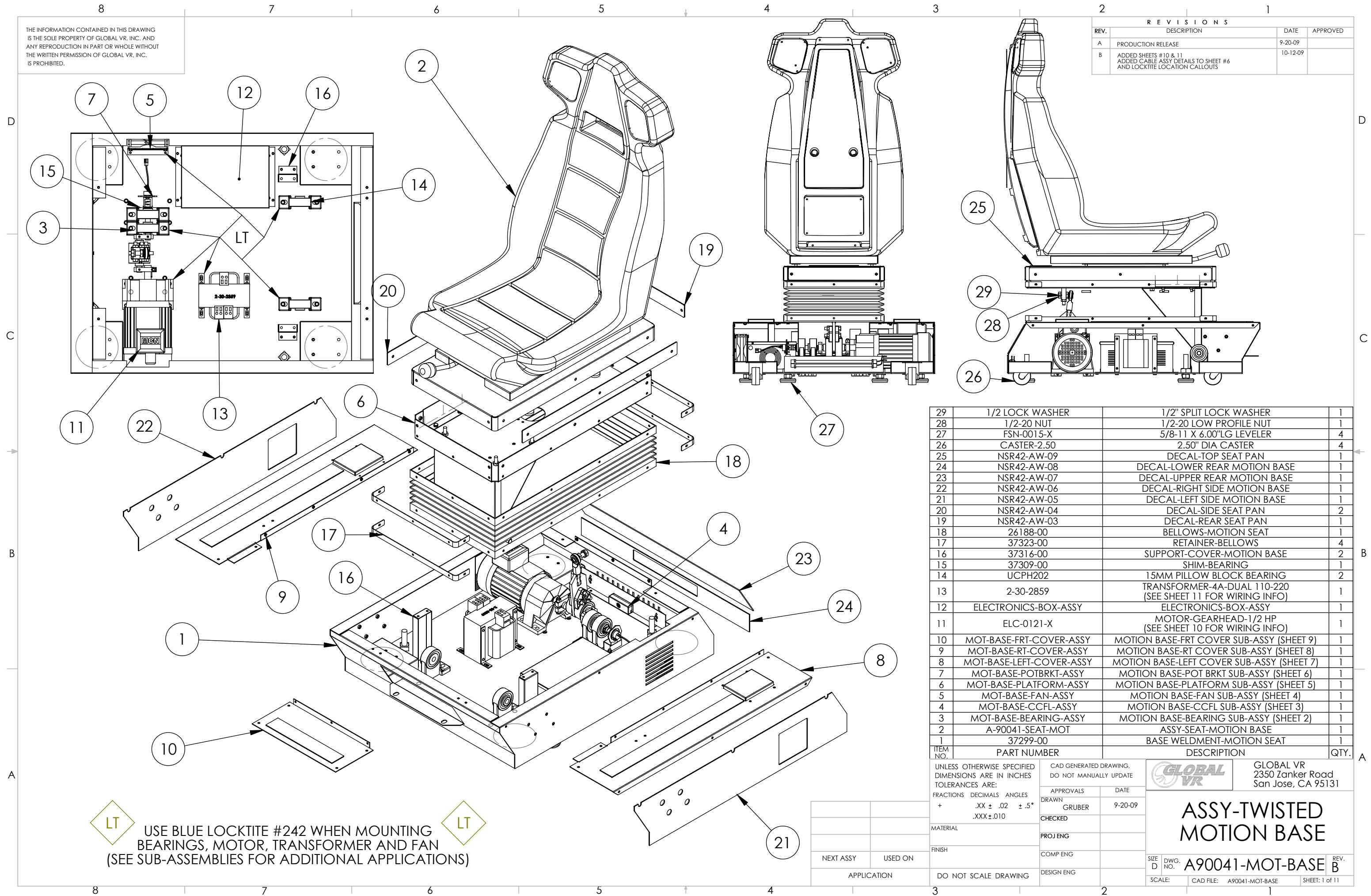


9	37154-00	BEZEL-42" LCD	1
8	37202-00	COVER-EMISSIONS 42"LCD	1
7	37216-00	MOUNT - 42" LCD	4
6	37153-00	HOUSING 42" LCD	1
5	42LCD-ADJUST PCB	INCLUDED IN FCB-AOD-AWX7-LG10	1
4	42LCD-DRIVER PCB	INCLUDED IN FCB-AOD-AWX7-LG10	1
3	FCB-AOD-AWX7-LG10	42" DRIVER BOARD ASSY INCLUDES CABLES ITEMS#5 &6	1
2	LC420WX7-SLA1	42"LCD PANEL - LG	1
1	26126-00	42" LCD DISPLAY SHIELD	1
ITEM NO.	PART NUMBER	DESCRIPTION	QTY.

UNLESS OTHERWISE SPECIFIED DIMENSIONS ARE IN INCHES TOLERANCES ARE: FRACTIONS DECIMALS ANGLES + .XX ± .02 ± .5° .XXX ± .010	CAD GENERATED DRAWING, DO NOT MANUALLY UPDATE			GLOBAL VR 2350 Zanker Road San Jose, CA 95131		
	APPROVALS	DATE		<b>ASSEMBLY-42"LCD TWISTED</b>		
DRAWN MARK GRUBER	7-21-09	SIZE D	DWG. NO. <b>A90041-LCD</b>			REV. <b>A</b>
CHECKED		SCALE	CAD FILE: A90041-LCD			SHEET 1 OF 1
MATERIAL	PROJ ENG					
FINISH	COMP ENG					
NEXT ASSY	USED ON	DESIGN ENG				
APPLICATION	DO NOT SCALE DRAWING					

THE INFORMATION CONTAINED IN THIS DRAWING IS THE SOLE PROPERTY OF GLOBAL VR, INC. AND ANY REPRODUCTION IN PART OR WHOLE WITHOUT THE WRITTEN PERMISSION OF GLOBAL VR, INC. IS PROHIBITED.

REVISIONS			
REV.	DESCRIPTION	DATE	APPROVED
A	PRODUCTION RELEASE	9-20-09	
B	ADDED SHEETS #10 & 11 ADDED CABLE ASSY DETAILS TO SHEET #6 AND LOCKTITE LOCATION CALLOUTS	10-12-09	



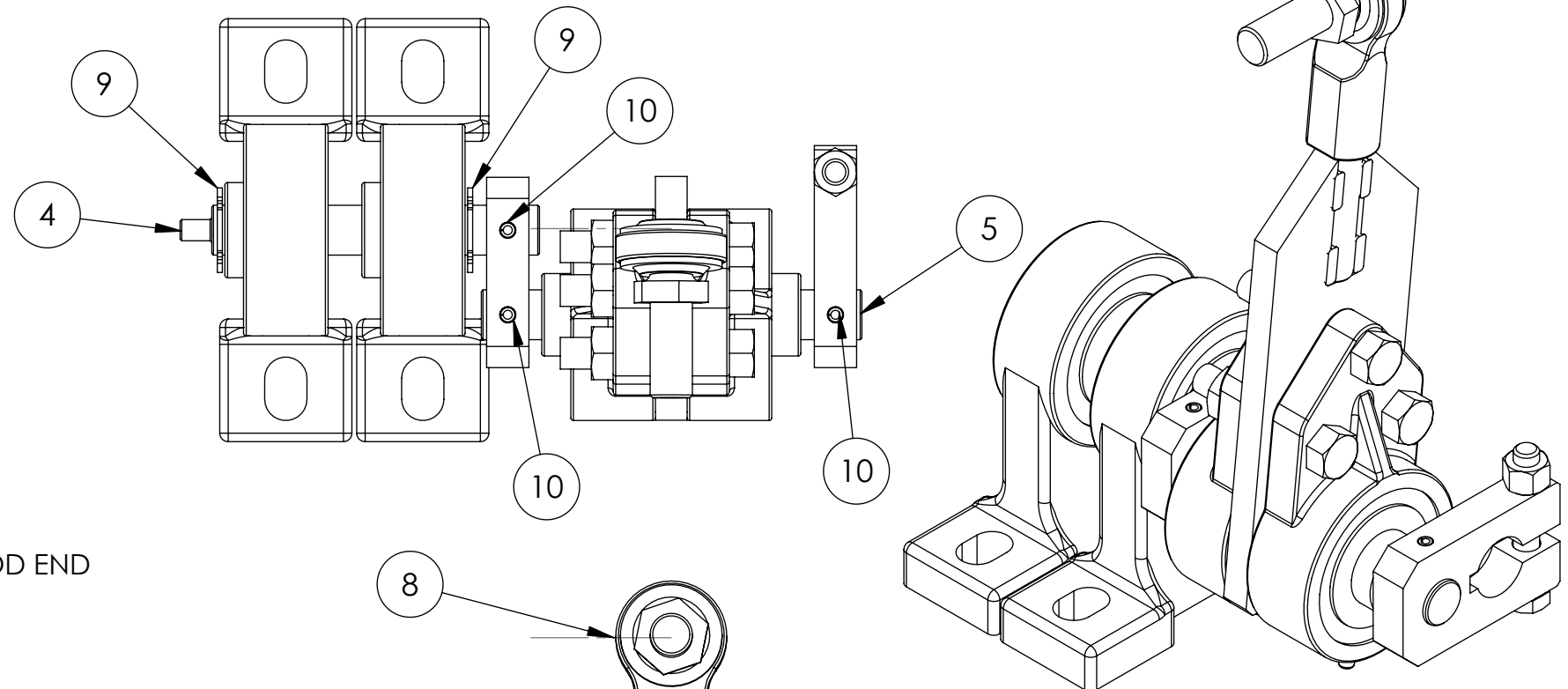
29	1/2 LOCK WASHER	1/2" SPLIT LOCK WASHER	1
28	1/2-20 NUT	1/2-20 LOW PROFILE NUT	1
27	FSN-0015-X	5/8-11 X 6.00"LG LEVELER	4
26	CASTER-2.50	2.50" DIA CASTER	4
25	NSR42-AW-09	DECAL-TOP SEAT PAN	1
24	NSR42-AW-08	DECAL-LOWER REAR MOTION BASE	1
23	NSR42-AW-07	DECAL-UPPER REAR MOTION BASE	1
22	NSR42-AW-06	DECAL-RIGHT SIDE MOTION BASE	1
21	NSR42-AW-05	DECAL-LEFT SIDE MOTION BASE	1
20	NSR42-AW-04	DECAL-SIDE SEAT PAN	2
19	NSR42-AW-03	DECAL-REAR SEAT PAN	1
18	26188-00	BELLOWS-MOTION SEAT	1
17	37323-00	RETAINER-BELLOWS	4
16	37316-00	SUPPORT-COVER-MOTION BASE	2
15	37309-00	SHIM-BEARING	1
14	UCPH202	15MM PILLOW BLOCK BEARING	2
13	2-30-2859	TRANSFORMER-4A-DUAL 110-220 (SEE SHEET 11 FOR WIRING INFO)	1
12	ELECTRONICS-BOX-ASSY	ELECTRONICS-BOX-ASSY	1
11	ELC-0121-X	MOTOR-GEARHEAD-1/2 HP (SEE SHEET 10 FOR WIRING INFO)	1
10	MOT-BASE-FRT-COVER-ASSY	MOTION BASE-FRT COVER SUB-ASSY (SHEET 9)	1
9	MOT-BASE-RT-COVER-ASSY	MOTION BASE-RT COVER SUB-ASSY (SHEET 8)	1
8	MOT-BASE-LEFT-COVER-ASSY	MOTION BASE-LEFT COVER SUB-ASSY (SHEET 7)	1
7	MOT-BASE-POTBRKT-ASSY	MOTION BASE-POT BRKT SUB-ASSY (SHEET 6)	1
6	MOT-BASE-PLATFORM-ASSY	MOTION BASE-PLATFORM SUB-ASSY (SHEET 5)	1
5	MOT-BASE-FAN-ASSY	MOTION BASE-FAN SUB-ASSY (SHEET 4)	1
4	MOT-BASE-CCFL-ASSY	MOTION BASE-CCFL SUB-ASSY (SHEET 3)	1
3	MOT-BASE-BEARING-ASSY	MOTION BASE-BEARING SUB-ASSY (SHEET 2)	1
2	A-90041-SEAT-MOT	ASSY-SEAT-MOTION BASE	1
1	37299-00	BASE WELDMENT-MOTION SEAT	1

**LT** USE BLUE LOCKTITE #242 WHEN MOUNTING BEARINGS, MOTOR, TRANSFORMER AND FAN (SEE SUB-ASSEMBLIES FOR ADDITIONAL APPLICATIONS) **LT**

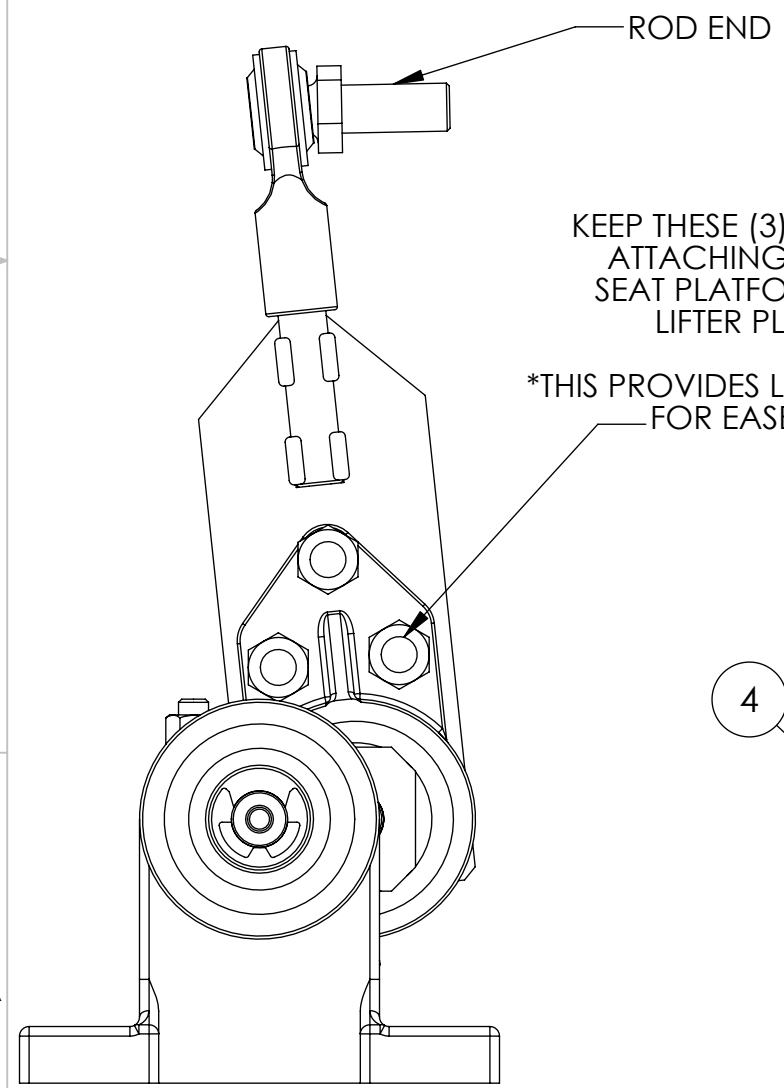
UNLESS OTHERWISE SPECIFIED DIMENSIONS ARE IN INCHES TOLERANCES ARE:		CAD GENERATED DRAWING, DO NOT MANUALLY UPDATE			GLOBAL VR 2350 Zanker Road San Jose, CA 95131	
FRACTIONS	DECIMALS	ANGLES	APPROVALS		DATE	<h1>ASSY-TWISTED MOTION BASE</h1>
+	.XX ± .02	± .5°	DRAWN	9-20-09		
	.XXX ± .010		CHECKED			
			PROJ ENG			
MATERIAL			COMP ENG		<b>A90041-MOT-BASE</b>	
FINISH			DESIGN ENG			
NEXT ASSY	USED ON				SCALE:	REV. B
APPLICATION		DO NOT SCALE DRAWING			CAD FILE: A90041-MOT-BASE	SHEET: 1 of 11

THE INFORMATION CONTAINED IN THIS DRAWING IS THE SOLE PROPERTY OF GLOBAL VR, INC. AND ANY REPRODUCTION IN PART OR WHOLE WITHOUT THE WRITTEN PERMISSION OF GLOBAL VR, INC. IS PROHIBITED.

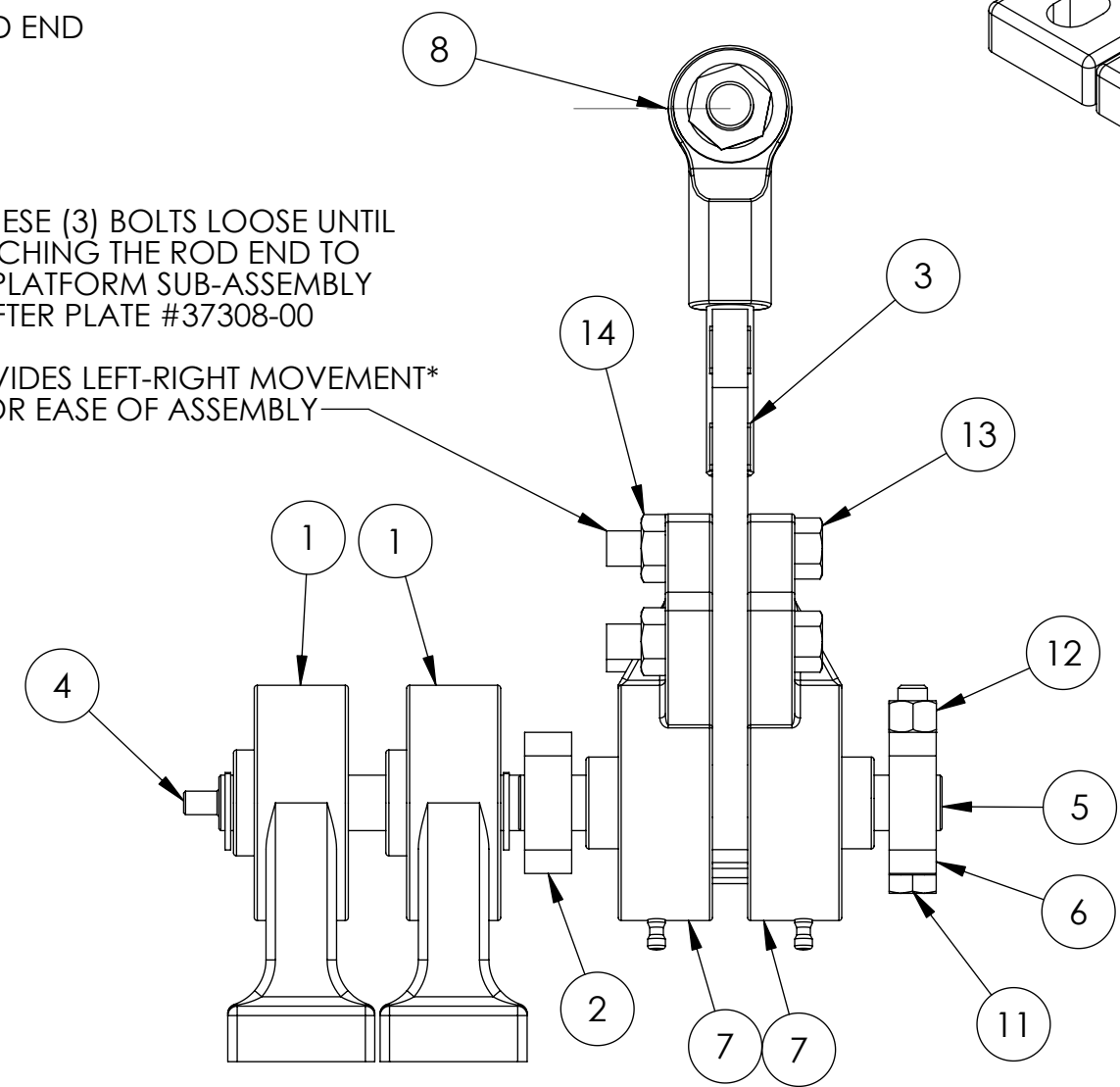
REVISIONS			
REV.	DESCRIPTION	DATE	APPROVED
	SEE SHEET #1		



MOTION BASE BEARING SUB-ASSY



\*THIS PROVIDES LEFT-RIGHT MOVEMENT\* FOR EASE OF ASSEMBLY



\*LEFT-RIGHT MOVEMENT\* FOR EASE OF ASSEMBLY

14	3/8-16 NYLOCK NUT	3/8-16 NYLOCK NUT	3
13	3/8-16 X 2.00"LG BOLT	3/8-16 X 2.00"LG BOLT	3
12	5/16-18 NYLOCK NUT	5/16-18 NYLOCK NUT	1
11	5/16-18 X 2.00LG BOLT	5/16-18 X 2.00LG BOLT	1
10	92383A362	SPRING PIN - 3/16"DIA X 1.50"LG	3
9	E-CLIP	5/8" E-CLIP	2
8	73202202	1/2" ROD END W/ 1/2" STUD	1
7	UCFB202	15MM-3-BOLT HANGER BEARING	2
6	37303-00	CLAMP-MOTOR-LIFTER	1
5	37307-00	SHAFT-LIFTER	1
4	37306-00	SHAFT-POTENTIOMETER	1
3	37305-00	WELDMENT-LIFTER	1
2	37304-00	PLATE-MACHINED-LIFTER	1
1	UCPH202	15MM-PEDESTAL PILLOW BLOCK BEARING	2
ITEM NO.	PART NUMBER	DESCRIPTION	QTY.

CAD GENERATED DRAWING, DO NOT MANUALLY UPDATE	
APPROVALS	DATE
DRAWN GRUBER	9-20-09
CHECKED	
PROJ ENG	
COMP ENG	
DESIGN ENG	

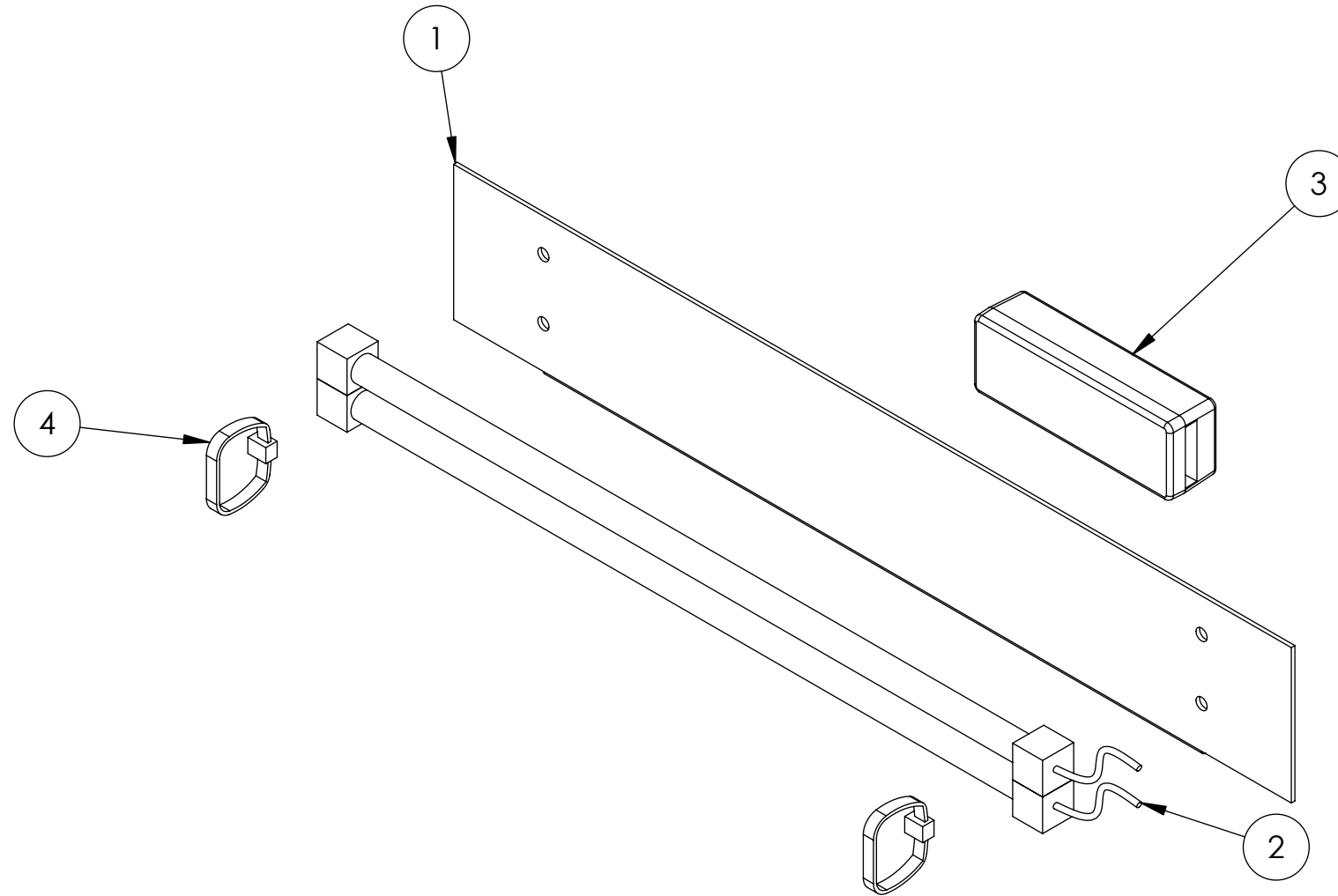
GLOBAL VR  
2350 Zanker Road  
San Jose, CA 95131

# ASSY-TWISTED MOTION BASE

SIZE D	DWG. NO. A90041-MOT-BASE	REV. B
SCALE	CAD FILE: A90041-MOT-BASE	SHEET: 2 of 11

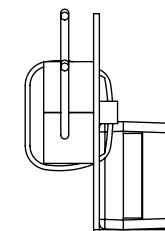
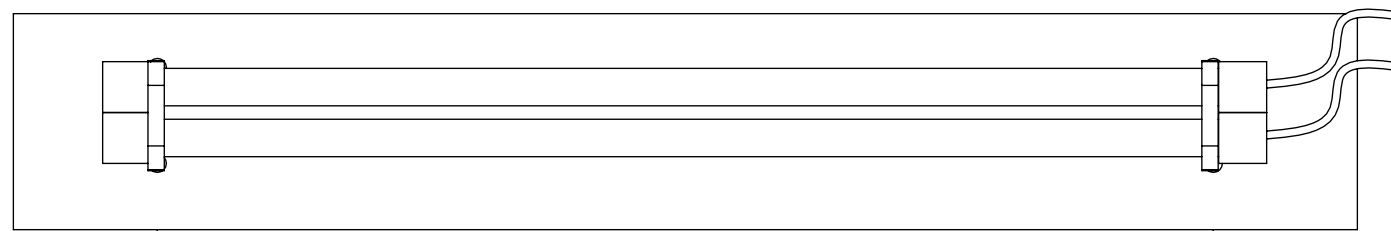
THE INFORMATION CONTAINED IN THIS DRAWING IS THE SOLE PROPERTY OF GLOBAL VR, INC. AND ANY REPRODUCTION IN PART OR WHOLE WITHOUT THE WRITTEN PERMISSION OF GLOBAL VR, INC. IS PROHIBITED.

R E V I S I O N S			
REV.	DESCRIPTION	DATE	APPROVED
	SEE SHEET #1		



MOTION BASE  
CCFL SUB-ASSY

4	TIE WRAP	TIE WRAP	2
3	CCFL INVERTER	INCLUDED IN ITEM#2	1
2	CCFL2R	RED 12" CCFL LIGHT KIT	2
1	37318-00	BRACKET-CCFL-MOTION BASE	1
ITEM NO.	PART NUMBER	DESCRIPTION	QTY.



CAD GENERATED DRAWING,  
DO NOT MANUALLY UPDATE



GLOBAL VR  
2350 Zanker Road  
San Jose, CA 95131

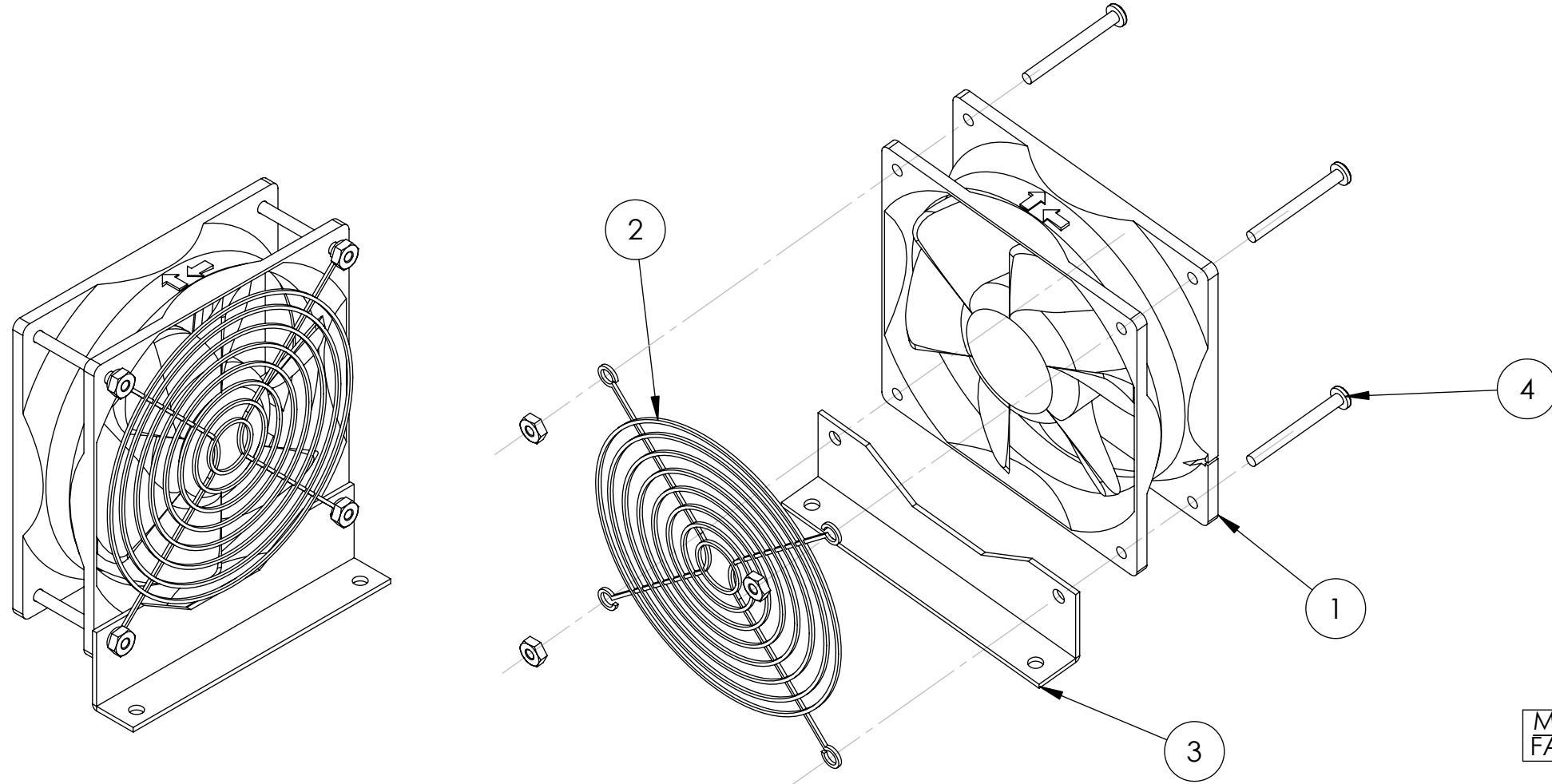
APPROVALS	DATE
DRAWN GRUBER	9-20-09
CHECKED	
PROJ ENG	
COMP ENG	
DESIGN ENG	

## ASSY-TWISTED MOTION BASE

SIZE D	DWG. NO.	A90041-MOT-BASE	REV. B
SCALE	CAD FILE:	A90041-MOT-BASE	SHEET: 3 of 11

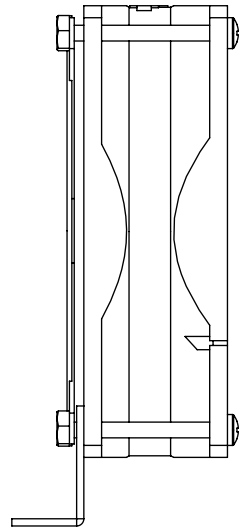
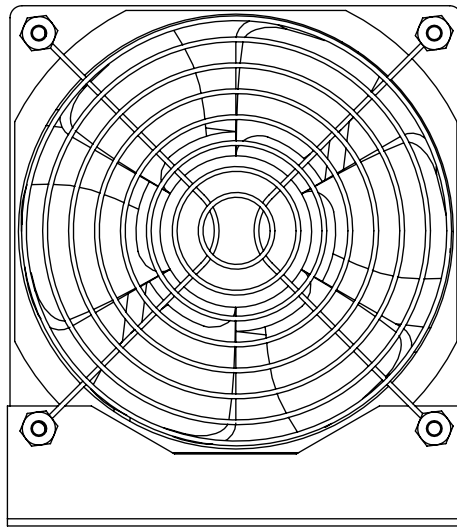
THE INFORMATION CONTAINED IN THIS DRAWING IS THE SOLE PROPERTY OF GLOBAL VR, INC. AND ANY REPRODUCTION IN PART OR WHOLE WITHOUT THE WRITTEN PERMISSION OF GLOBAL VR, INC. IS PROHIBITED.


REVISIONS			
REV.	DESCRIPTION	DATE	APPROVED
	SEE SHEET #1		



MOTION BASE  
FAN SUB-ASSY

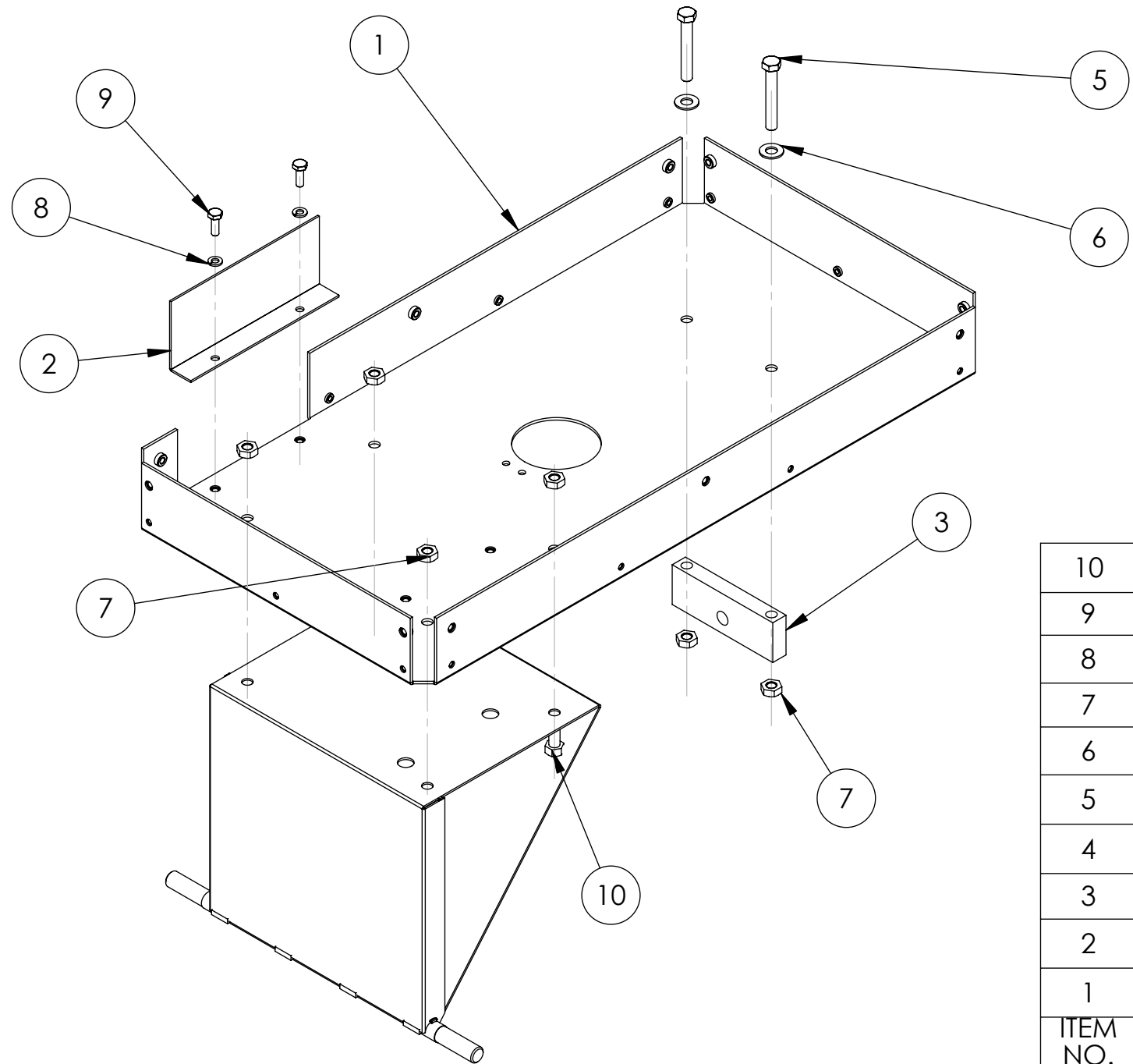
5	8-32 NYLOCK NUT	8-32 NYLOCK NUT	4
4	8-32 X 1.50"LG BOLT	8-32 X 1.50"LG BOLT	4
3	37321-00	BRACKET-FAN	1
2	FANGUARD	SUPPLIED W/ ITEM#1	1
1	12V-FAN-QCA	12V FAN W/GUARD AND CABLE	1
ITEM NO.	PART NUMBER	DESCRIPTION	QTY.



CAD GENERATED DRAWING, DO NOT MANUALLY UPDATE			GLOBAL VR 2350 Zanker Road San Jose, CA 95131	
APPROVALS	DATE		<h2 style="text-align: center;">ASSY-TWISTED MOTION BASE</h2>	
DRAWN GRUBER	9-20-09			
CHECKED				
PROJ ENG				
COMP ENG				
DESIGN ENG		SIZE D DWG. NO. <b>A90041-MOT-BASE</b> SCALE      CAD FILE: A90041-MOT-BASE SHEET: 4 of 11	REV. <b>B</b>	

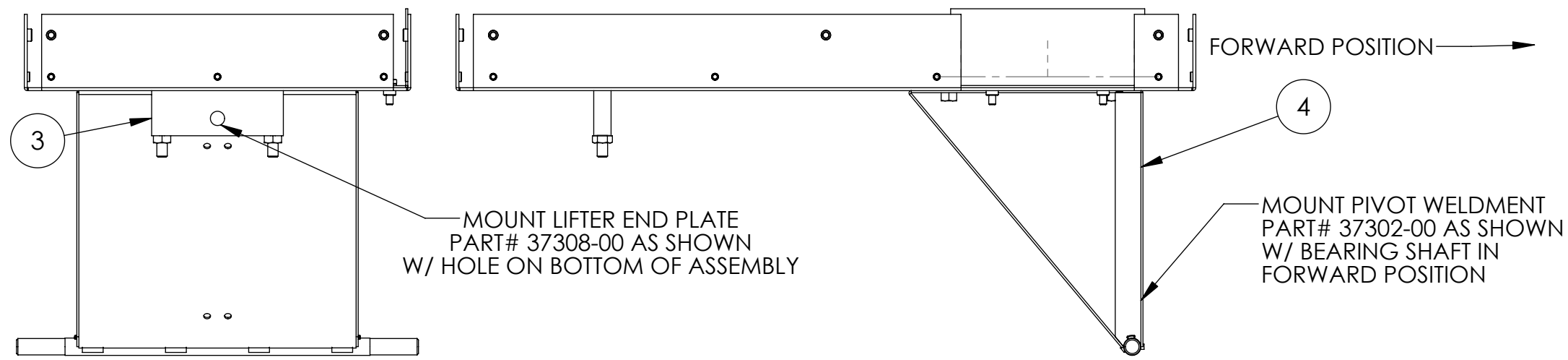
THE INFORMATION CONTAINED IN THIS DRAWING IS THE SOLE PROPERTY OF GLOBAL VR, INC. AND ANY REPRODUCTION IN PART OR WHOLE WITHOUT THE WRITTEN PERMISSION OF GLOBAL VR, INC. IS PROHIBITED.

REVISIONS			
REV.	DESCRIPTION	DATE	APPROVED
	SEE SHEET #1		



**MOTION BASE  
PLATFORM SUB-ASSY**

10	3/8-16 X 1.25"LG BOLT	3/8-16 X 1.25"LG BOLT	4
9	1/4-20 X .75"LG BOLT	1/4-20 X .75"LG BOLT	2
8	1/4" LOCK WASHER	1/4" SPLIT LOCK WASHER	2
7	3/8-16 NYLOCK NUT	3/8-16 NYLOCK NUT	6
6	3/8" FLAT WASHER	3/8" FLAT WASHER	2
5	3/8-16 X 2.50"LG BOLT	3/8-16 X 2.50"LG BOLT	2
4	37302-00	WELDMENT-PIVOT	1
3	37308-00	PLATE-MACHINED LIFTER END	1
2	37313-00	COVER-SHIFTER CUT-OUT	1
1	37300-00	PLATFORM-MOTION SEAT	1
ITEM NO.	PART NUMBER	DESCRIPTION	QTY.

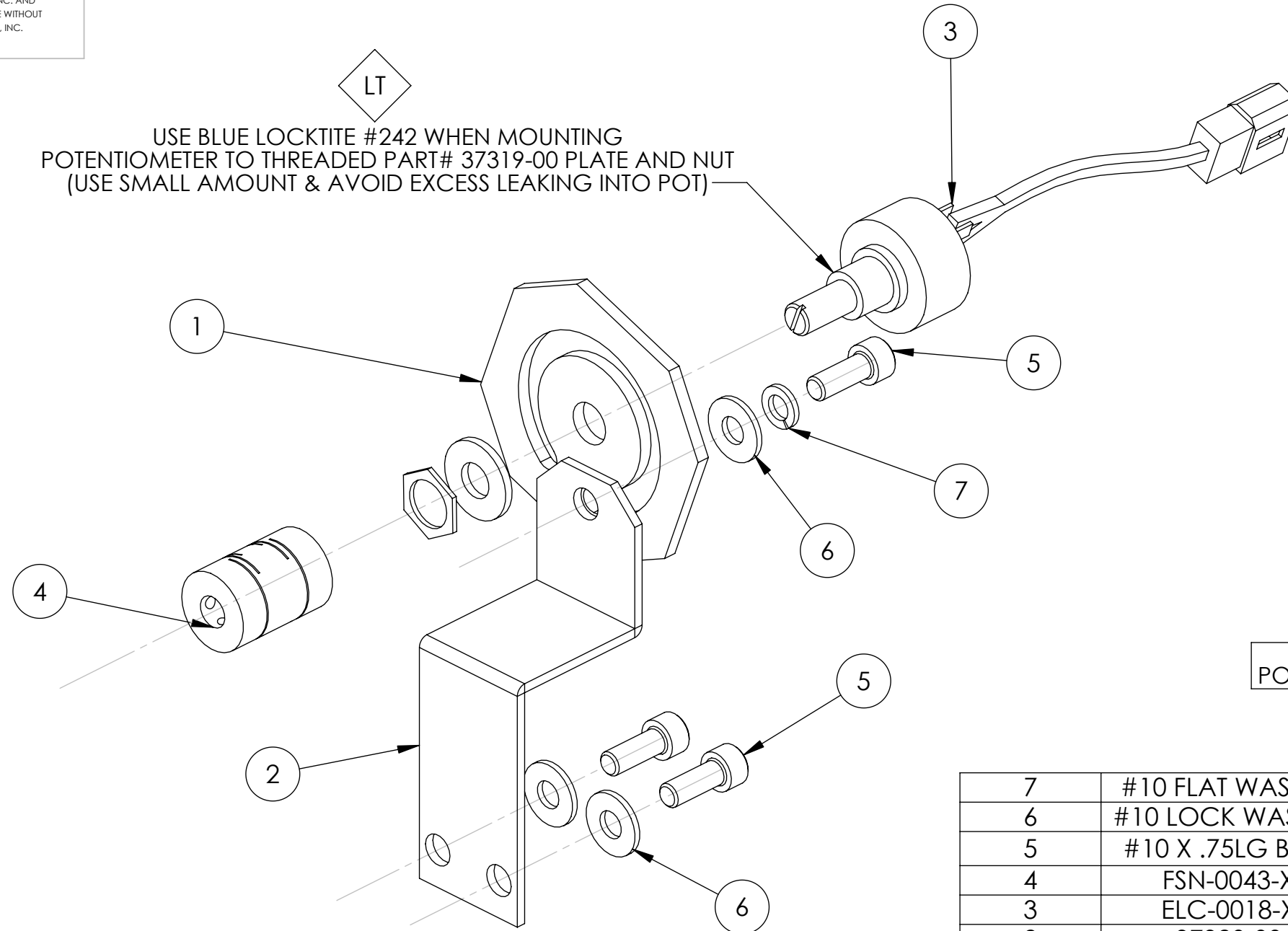


CAD GENERATED DRAWING, DO NOT MANUALLY UPDATE			GLOBAL VR 2350 Zanker Road San Jose, CA 95131	
APPROVALS	DATE		<h2>ASSY-TWISTED MOTION BASE</h2>	
DRAWN GRUBER	9-20-09			
CHECKED				
PROJ ENG				
COMP ENG				
DESIGN ENG		SIZE D DWG. NO. <b>A90041-MOT-BASE</b> SCALE      CAD FILE: A90041-MOT-BASE      SHEET: 5 of 11	REV. <b>B</b>	

THE INFORMATION CONTAINED IN THIS DRAWING IS THE SOLE PROPERTY OF GLOBAL VR, INC. AND ANY REPRODUCTION IN PART OR WHOLE WITHOUT THE WRITTEN PERMISSION OF GLOBAL VR, INC. IS PROHIBITED.

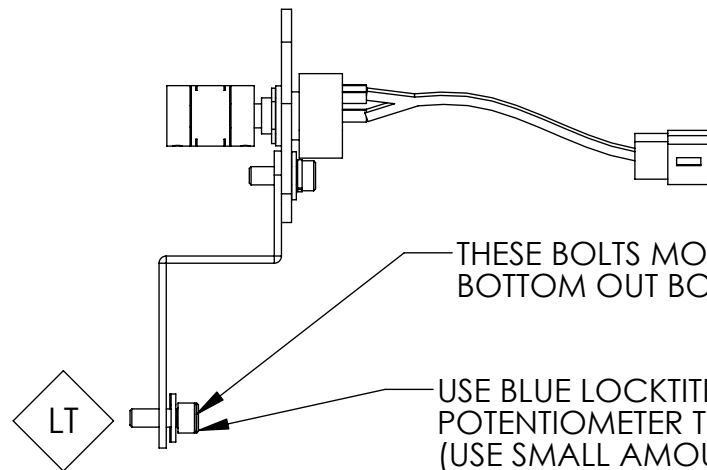
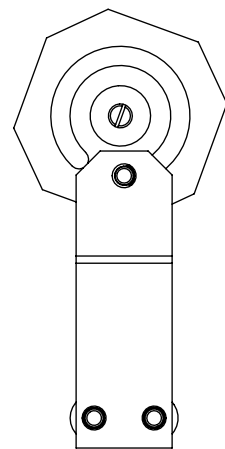
REVISIONS			
REV.	DESCRIPTION	DATE	APPROVED
	SEE SHEET #1		

USE BLUE LOCKTITE #242 WHEN MOUNTING POTENTIOMETER TO THREADED PART# 37319-00 PLATE AND NUT (USE SMALL AMOUNT & AVOID EXCESS LEAKING INTO POT)



MOTION BASE  
POT BRACKET SUB-ASSY

7	#10 FLAT WASHER	#10 FLAT WASHER	3
6	#10 LOCK WASHER	#10 SPLIT LOCK WASHER	1
5	#10 X .75LG BOLT	#10 X .75LG ALLEN-HEAD BOLT	3
4	FSN-0043-X	COUPLER-ELASTIC	1
3	ELC-0018-X	POT-ENCODER-5K W/ CABLE	1
2	37320-00	BRACKET-POTENTIOMETER	1
1	37319-00	PLATE-POTENTIOMETER	1
ITEM NO.	PART NUMBER	DESCRIPTION	QTY.



THESE BOLTS MOUNT INTO BEARING SHIM BLOCK PART# 37309-00  
BOTTOM OUT BOLTS - BRACKET 37320-00 SHOULD REMAIN LOOSE

USE BLUE LOCKTITE #242 WHEN MOUNTING POTENTIOMETER TO THREADED PART# 37319-00 PLATE AND NUT (USE SMALL AMOUNT & AVOID EXCESS LEAKING INTO POT)

CAD GENERATED DRAWING,  
DO NOT MANUALLY UPDATE



GLOBAL VR  
2350 Zanker Road  
San Jose, CA 95131

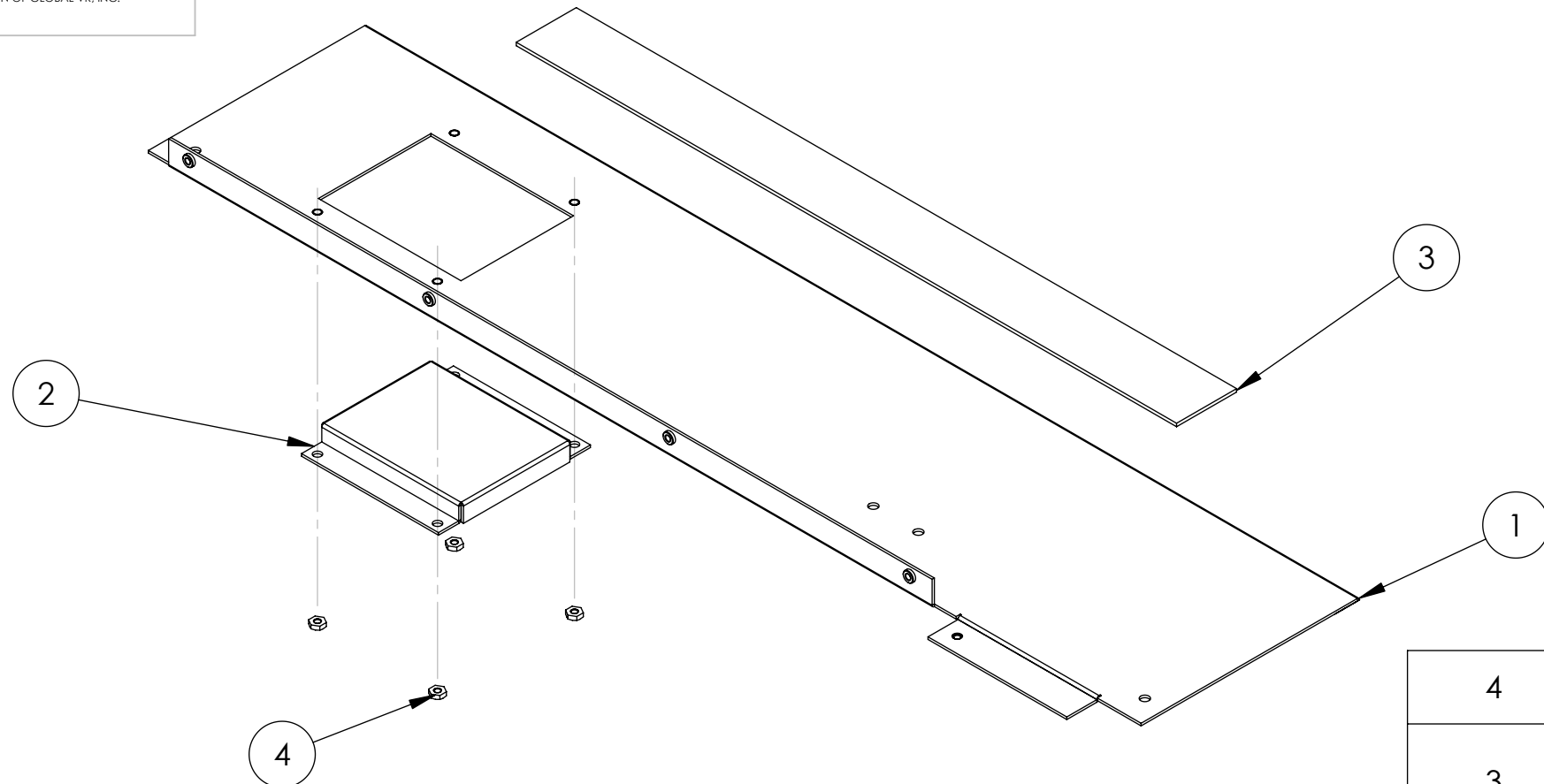
APPROVALS	DATE
DRAWN GRUBER	9-20-09
CHECKED	
PROJ ENG	
COMP ENG	
DESIGN ENG	

## ASSY-TWISTED MOTION BASE

SIZE D	DWG. NO.	A90041-MOT-BASE	REV. B
SCALE	CAD FILE:	A90041-MOT-BASE	SHEET: 6 of 11

THE INFORMATION CONTAINED IN THIS DRAWING IS THE SOLE PROPERTY OF GLOBAL VR, INC. AND ANY REPRODUCTION IN PART OR WHOLE WITHOUT THE WRITTEN PERMISSION OF GLOBAL VR, INC. IS PROHIBITED.

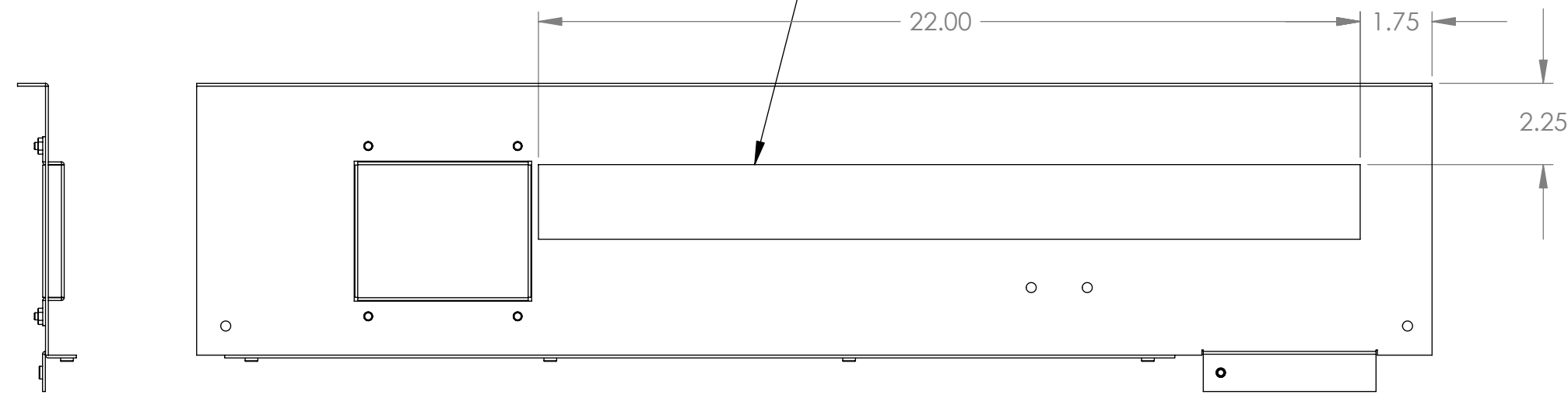
R E V I S I O N S			
REV.	DESCRIPTION	DATE	APPROVED
	SEE SHEET #1		



MOTION BASE  
LEFT COVER SUB-ASSY

4	10-32 NYLOCK NUT	10-32 NYLOCK NUT	4
3	6970 T651	2" WIDE ANTI SKID TAPE MCMASTER CARR PART# (2" X 60' ROLL)	22"
2	37312-00	COVER-MOTOR	1
1	37311-01	COVER-LEFT MOTION BASE	1
ITEM NO.	PART NUMBER	DESCRIPTION	QTY.

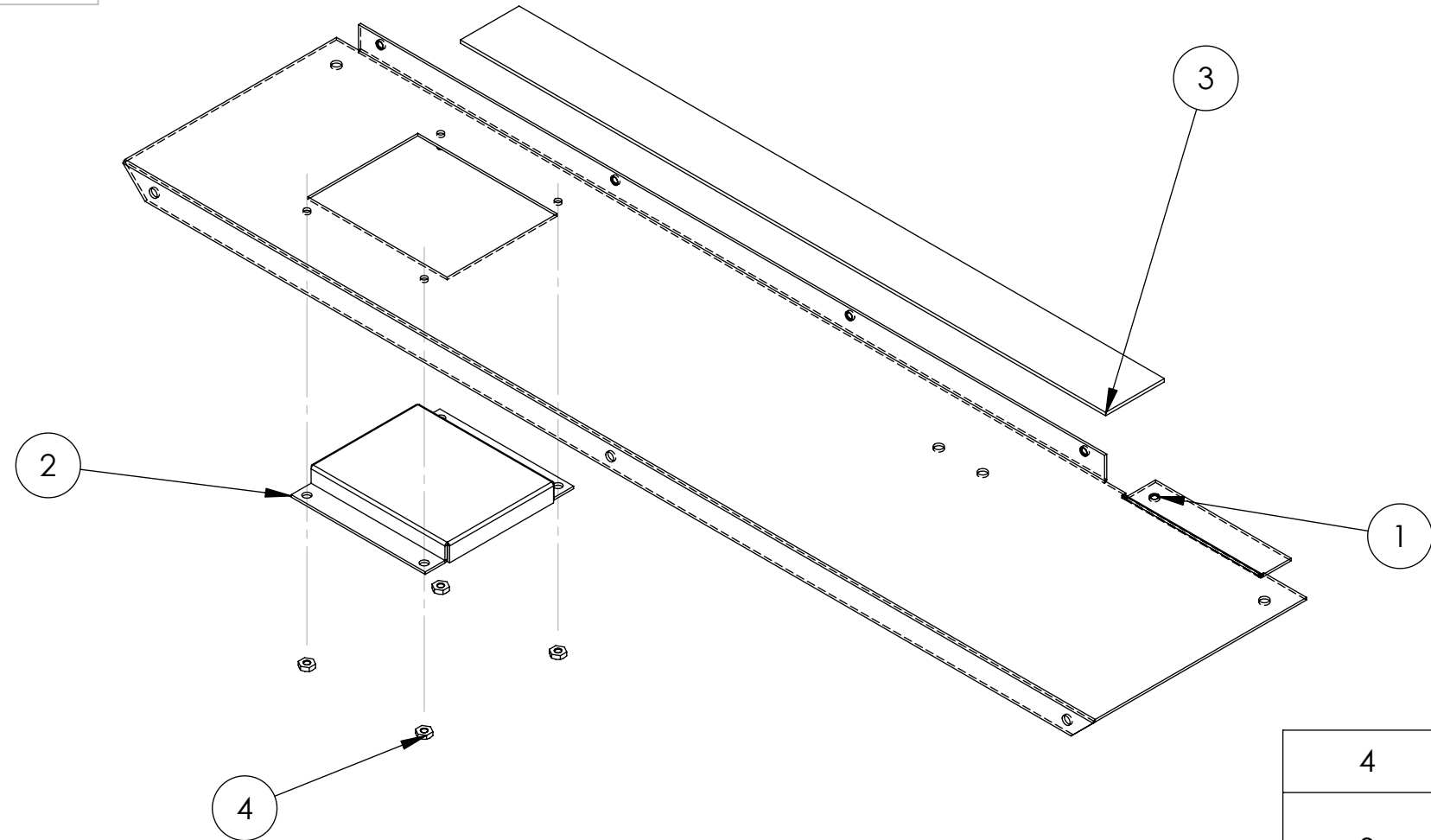
PLACE TAPE APPROX AS SHOWN



CAD GENERATED DRAWING, DO NOT MANUALLY UPDATE			GLOBAL VR 2350 Zanker Road San Jose, CA 95131	
APPROVALS	DATE		<h2>ASSY-TWISTED MOTION BASE</h2>	
DRAWN GRUBER	9-20-09			
CHECKED				
PROJ ENG				
COMP ENG				
DESIGN ENG		SIZE D DWG. NO. <b>A90041-MOT-BASE</b> REV. <b>B</b>	SCALE CAD FILE: A90041-MOT-BASE SHEET: 7 of 11	

THE INFORMATION CONTAINED IN THIS DRAWING IS THE SOLE PROPERTY OF GLOBAL VR, INC. AND ANY REPRODUCTION IN PART OR WHOLE WITHOUT THE WRITTEN PERMISSION OF GLOBAL VR, INC. IS PROHIBITED.

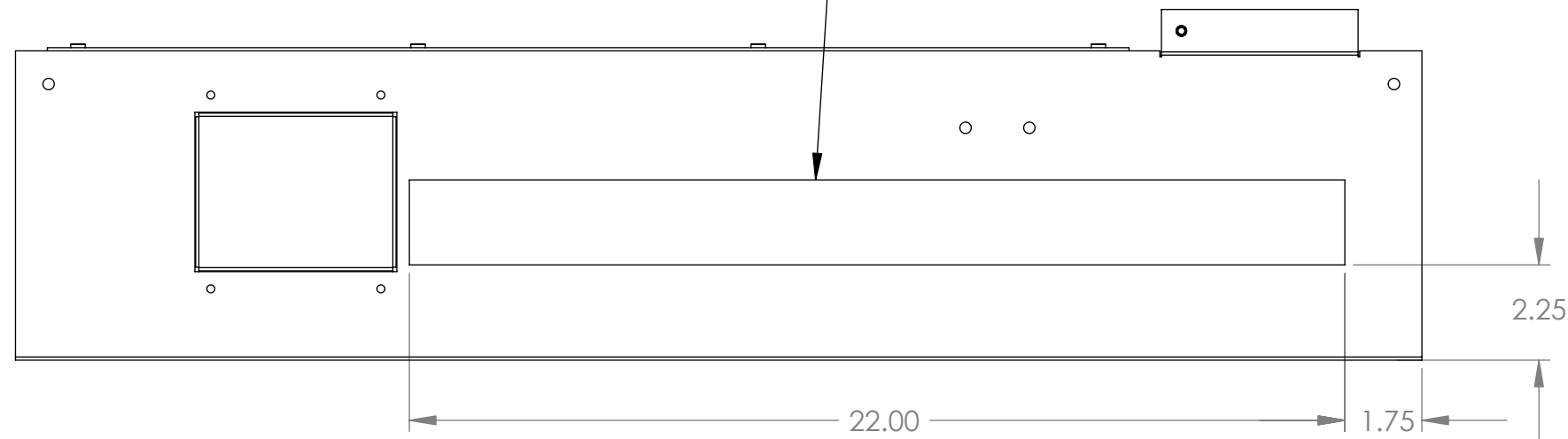
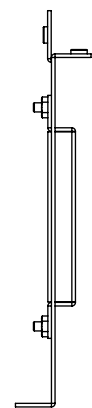
R E V I S I O N S			
REV.	DESCRIPTION	DATE	APPROVED
	SEE SHEET #1		



MOTION BASE  
RIGHT COVER SUB-ASSY

4	10-32 NYLOCK NUT	10-32 NYLOCK NUT	4
3	6970 T651	2" WIDE ANTI SKID TAPE MCMaster CARR PART# (2" X 60' ROLL)	22"
2	37312-00	COVER-MOTOR	1
1	37311-02	COVER-RT MOTION SEAT BASE	1
ITEM NO.	PART NUMBER	DESCRIPTION	QTY.

PLACE TAPE APPROX AS SHOWN

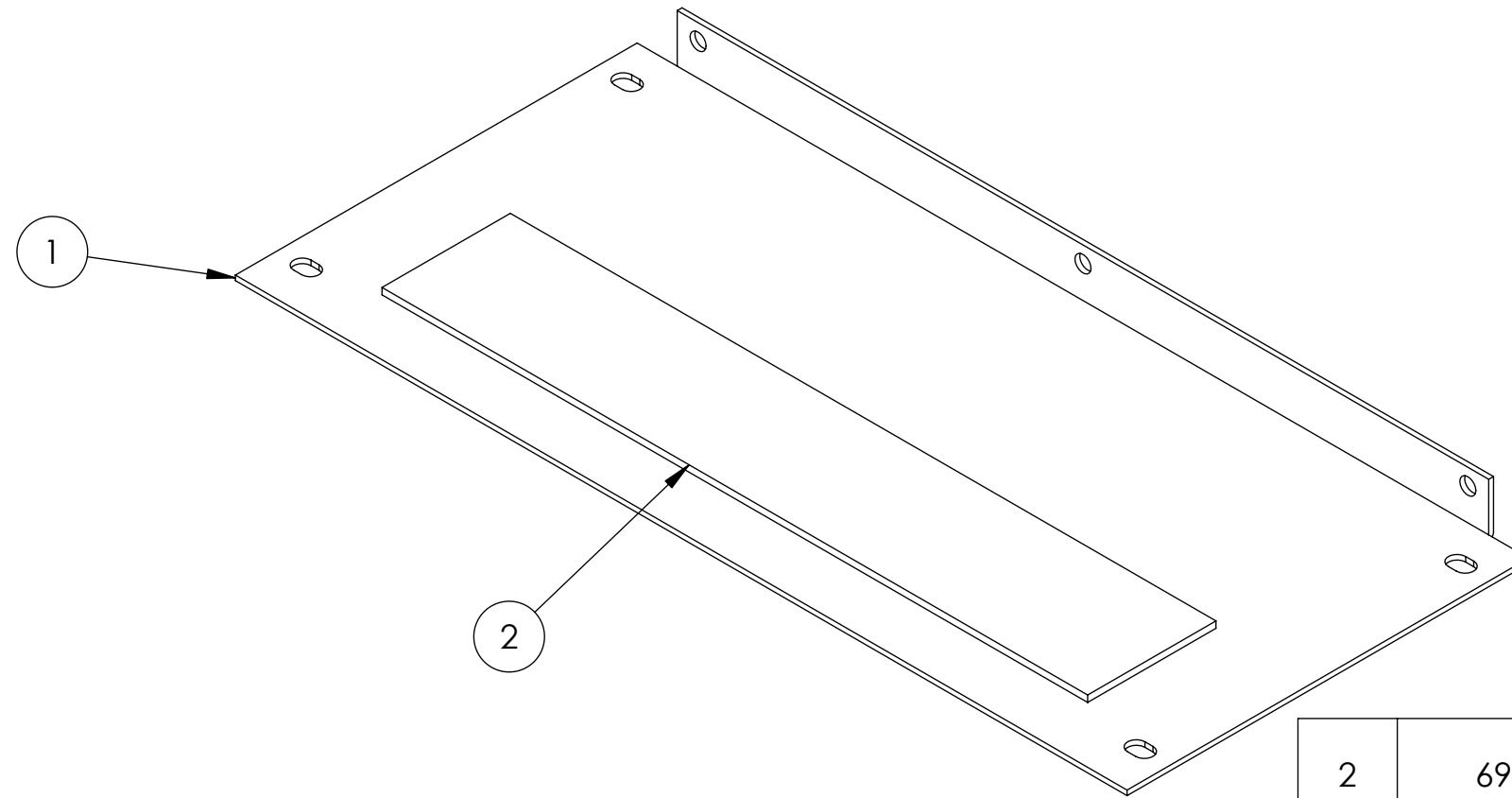


CAD GENERATED DRAWING, DO NOT MANUALLY UPDATE	
APPROVALS	DATE
DRAWN GRUBER	9-20-09
CHECKED	
PROJ ENG	
COMP ENG	
DESIGN ENG	

		GLOBAL VR 2350 Zanker Road San Jose, CA 95131	
<h2>ASSY-TWISTED MOTION BASE</h2>			
SIZE D	DWG. NO.	A90041-MOT-BASE	REV. B
SCALE	CAD FILE:	A90041-MOT-BASE	SHEET: 8 of 11

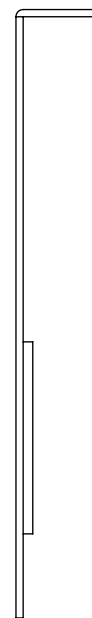
THE INFORMATION CONTAINED IN THIS DRAWING IS THE SOLE PROPERTY OF GLOBAL VR, INC. AND ANY REPRODUCTION IN PART OR WHOLE WITHOUT THE WRITTEN PERMISSION OF GLOBAL VR, INC. IS PROHIBITED.


R E V I S I O N S			
REV.	DESCRIPTION	DATE	APPROVED
	SEE SHEET #1		



MOTION BASE  
FRONT COVER SUB-ASSY

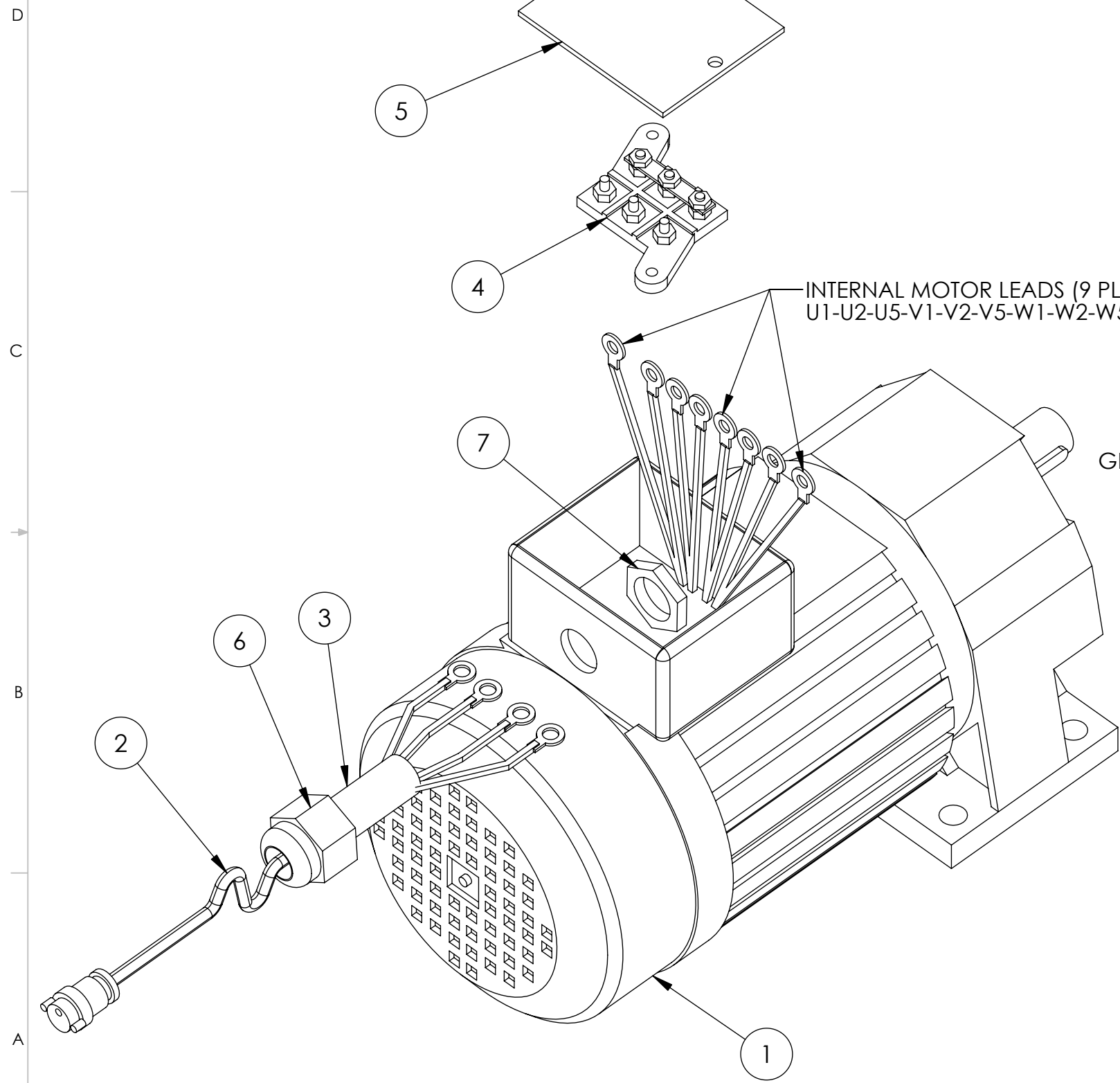
2	6970 T651	2" WIDE ANTI SKID TAPE MCMASTER CARR PART# (2" X 60' ROLL)	11"
1	37310-00	COVER-FRONT MOTION SEAT BASE	1
ITEM NO.	PART NUMBER	DESCRIPTION	QTY.



CAD GENERATED DRAWING, DO NOT MANUALLY UPDATE			GLOBAL VR 2350 Zanker Road San Jose, CA 95131	
APPROVALS	DATE		<h2>ASSY-TWISTED MOTION BASE</h2>	
DRAWN GRUBER	9-20-09			
CHECKED				
PROJ ENG				
COMP ENG				
DESIGN ENG		SIZE D DWG. NO. <b>A90041-MOT-BASE</b>	REV. <b>B</b>	
SCALE		CAD FILE: A90041-MOT-BASE		SHEET: 9 of 11

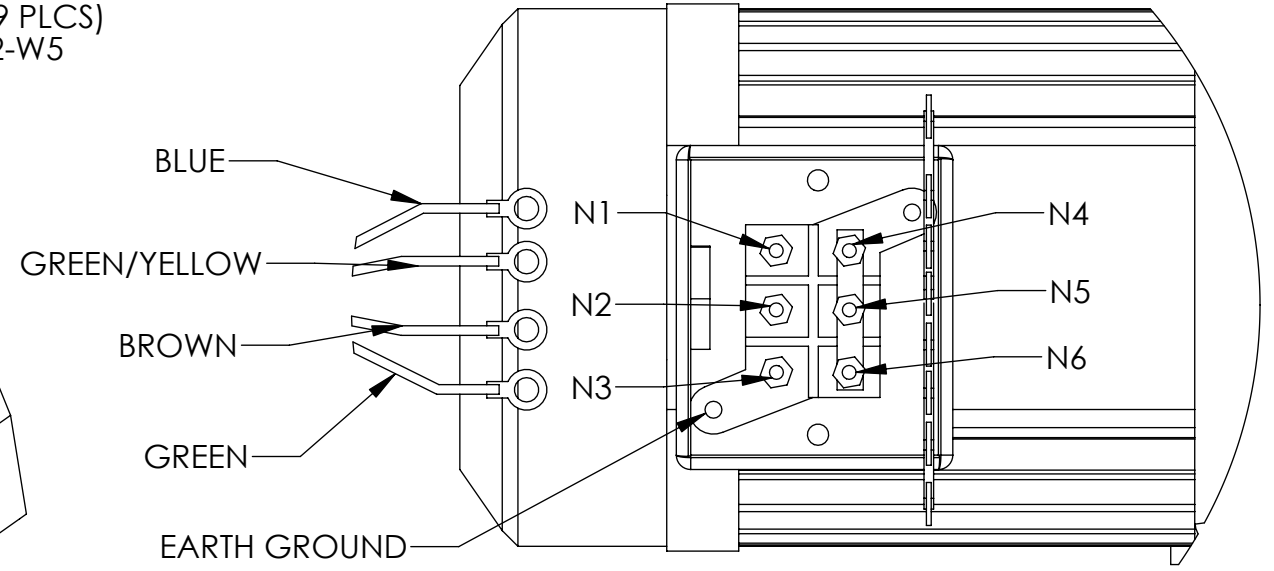
THE INFORMATION CONTAINED IN THIS DRAWING IS THE SOLE PROPERTY OF GLOBAL VR, INC. AND ANY REPRODUCTION IN PART OR WHOLE WITHOUT THE WRITTEN PERMISSION OF GLOBAL VR, INC. IS PROHIBITED.

REVISIONS			
REV.	DESCRIPTION	DATE	APPROVED
	SEE SHEET #1		



INTERNAL MOTOR LEADS (9 PLCS)  
U1-U2-U5-V1-V2-V5-W1-W2-W5

MOTOR TERMINAL #	MOTOR LEADS	CBL-0806-X CABLE LEADS
N1	U1 & U5	BLUE WIRE
N2	V1 & V5	GREEN/YELLOW WIRE
N3	W1 & W5	BROWN WIRE
N4	U2	----
N5	V2	----
N6	W2	----
EARTH GROUND	----	GREEN WIRE

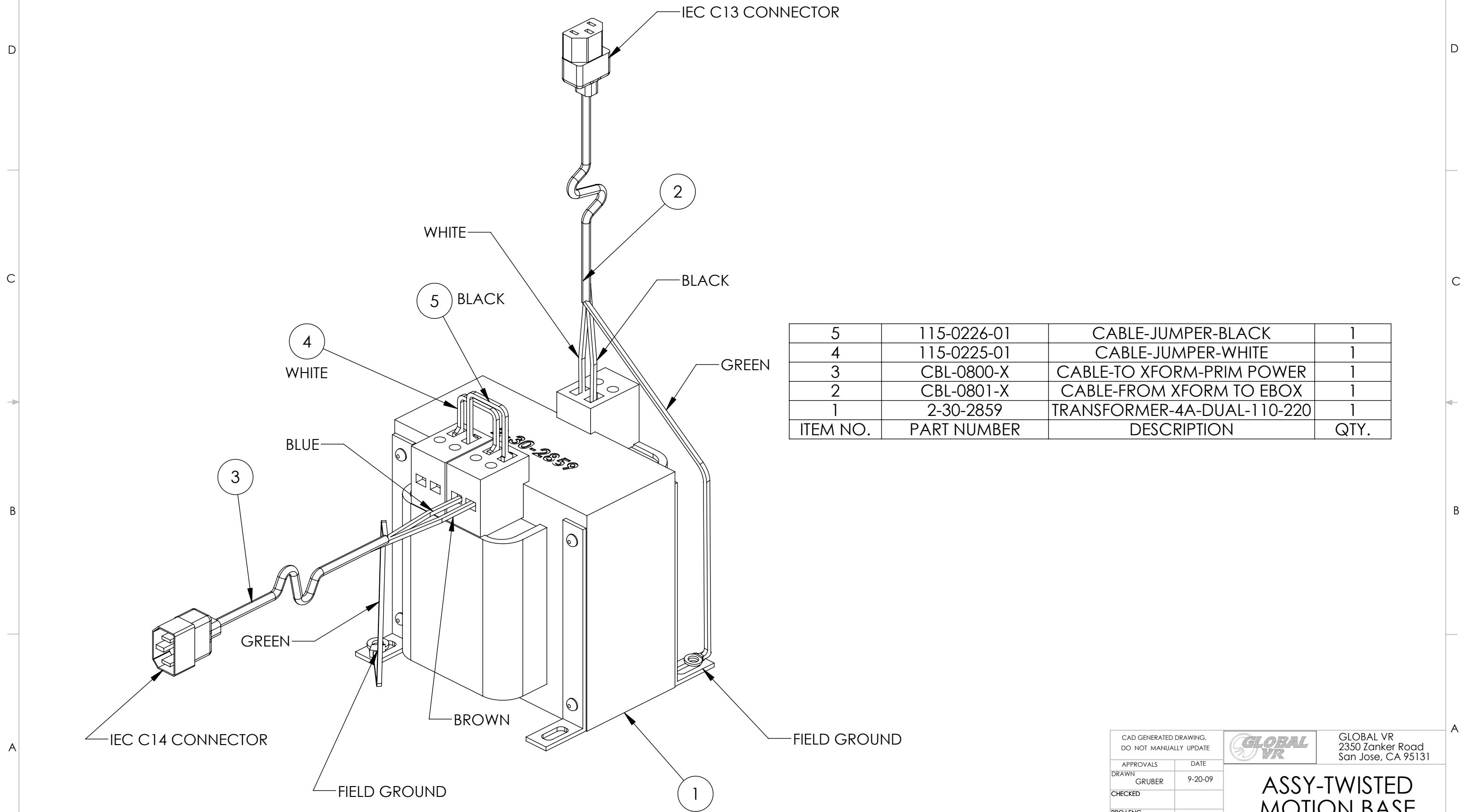


7	STRAIN-RELIEF NUT	PART OF MOTOR (ITEM#1)	1
6	CABLE-STRAIN RELIEF	PART OF MOTOR (ITEM#1)	1
5	MOTOR-cover	PART OF MOTOR (ITEM#1)	1
4	MOTOR-TERMINAL BLOCK	PART OF MOTOR (ITEM#1)	1
3	7946K51	2"VINYL-COATED WRAP	7.00"
2	CBL-0806-X	CABLE-SHIELDED-TO AC MOTOR	1
1	ELC-0121-X	MOTOR-GEARHEAD-MCN-1/2HP	1
ITEM NO.	PART NUMBER	DESCRIPTION	QTY.

CAD GENERATED DRAWING, DO NOT MANUALLY UPDATE			GLOBAL VR 2350 Zanker Road San Jose, CA 95131	
APPROVALS	DATE		<h2 style="text-align: center;">ASSY-TWISTED MOTION BASE</h2>	
DRAWN GRUBER	9-20-09			
CHECKED				
PROJ ENG				
COMP ENG				
DESIGN ENG		SIZE D DWG. NO. <b>A90041-MOT-BASE</b> SCALE      CAD FILE: A90041-MOT-BASE SHEET: 10 of 11	REV. <b>B</b>	

THE INFORMATION CONTAINED IN THIS DRAWING IS THE SOLE PROPERTY OF GLOBAL VR, INC. AND ANY REPRODUCTION IN PART OR WHOLE WITHOUT THE WRITTEN PERMISSION OF GLOBAL VR, INC. IS PROHIBITED.

REVISIONS			
REV.	DESCRIPTION	DATE	APPROVED
	SEE SHEET #1		

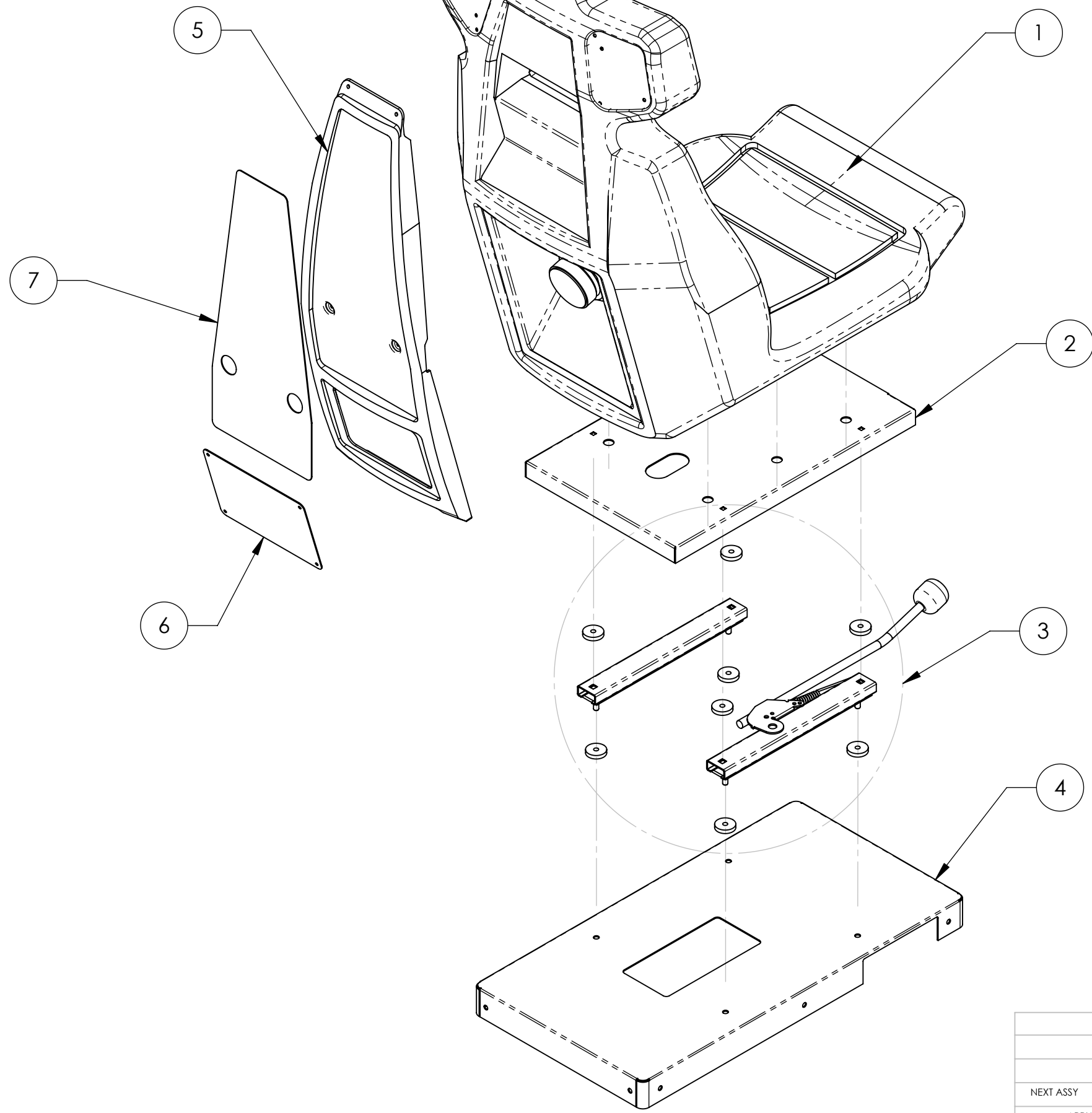


5	115-0226-01	CABLE-JUMPER-BLACK	1
4	115-0225-01	CABLE-JUMPER-WHITE	1
3	CBL-0800-X	CABLE-TO XFORM-PRIM POWER	1
2	CBL-0801-X	CABLE-FROM XFORM TO EBOX	1
1	2-30-2859	TRANSFORMER-4A-DUAL-110-220	1
ITEM NO.	PART NUMBER	DESCRIPTION	QTY.

CAD GENERATED DRAWING, DO NOT MANUALLY UPDATE			GLOBAL VR 2350 Zanker Road San Jose, CA 95131	
APPROVALS	DATE		<h2>ASSY-TWISTED MOTION BASE</h2>	
DRAWN GRUBER	9-20-09			
CHECKED				
PROJ ENG				
COMP ENG				
DESIGN ENG		SIZE D DWG. NO. <b>A90041-MOT-BASE</b> SCALE CAD FILE: A90041-MOT-BASE SHEET: 11 of 11	REV. <b>B</b>	

THE INFORMATION CONTAINED IN THIS DRAWING IS THE SOLE PROPERTY OF GLOBAL VR, INC. AND ANY REPRODUCTION IN PART OR WHOLE WITHOUT THE WRITTEN PERMISSION OF GLOBAL VR, INC. IS PROHIBITED.

REVISIONS			
REV.	DESCRIPTION	DATE	APPROVED
A	PRODUCTION RELEASE	8-5-09	



ITEM NO.	PART NUMBER	DESCRIPTION	QTY.
7	NSR-AW-09	DECAL-REAR SEAT-TWISTED	1
6	37189-00	GRILL-WOOFER	1
5	26134-00-YEL	HOUSING-REAR SEAT-CARBON	1
4	37301-00	COVER-PLATFORM-MOTION SEAT	1
	50-2693-00	SPACER (PART OF SEAT SLIDE ASSY)	8
	50-2874-00	HANDLE SEAT SLIDE (PART OF SEAT SLIDE ASSY)	1
	50-3090-00	IDLER SEAT SLIDE (PART OF SEAT SLIDE ASSY)	1
3	50-0400-00	ASSY-SEAT-SLIDE-KIT	1
2	37021-00	PANEL-SEAT-BASE	1
1	50-0244-ND	ASSY-SEAT-BLACK W/ SPKRS & CABLE	1

UNLESS OTHERWISE SPECIFIED DIMENSIONS ARE IN INCHES TOLERANCES ARE: FRACTIONS DECIMALS ANGLES + .XX ± .02 ± .5° .XXX ± .010		CAD GENERATED DRAWING, DO NOT MANUALLY UPDATE	<b>GLOBAL VR</b>	GLOBAL VR 2350 Zanker Road San Jose, CA 95131
APPROVALS DRAWN MARK GRUBER		DATE 8-5-09	<b>ASSEMBLY-SEAT MOTION SEAT</b>	
CHECKED				
PROJ ENG				
FINISH		COMP ENG	SIZE D	DWG. NO. <b>A90041-SEAT</b>
NEXT ASSY		DESIGN ENG	SCALE	REV. <b>A</b>
APPLICATION		DO NOT SCALE DRAWING	CAD FILE: A90041-SEAT	SHEET 1 OF 1