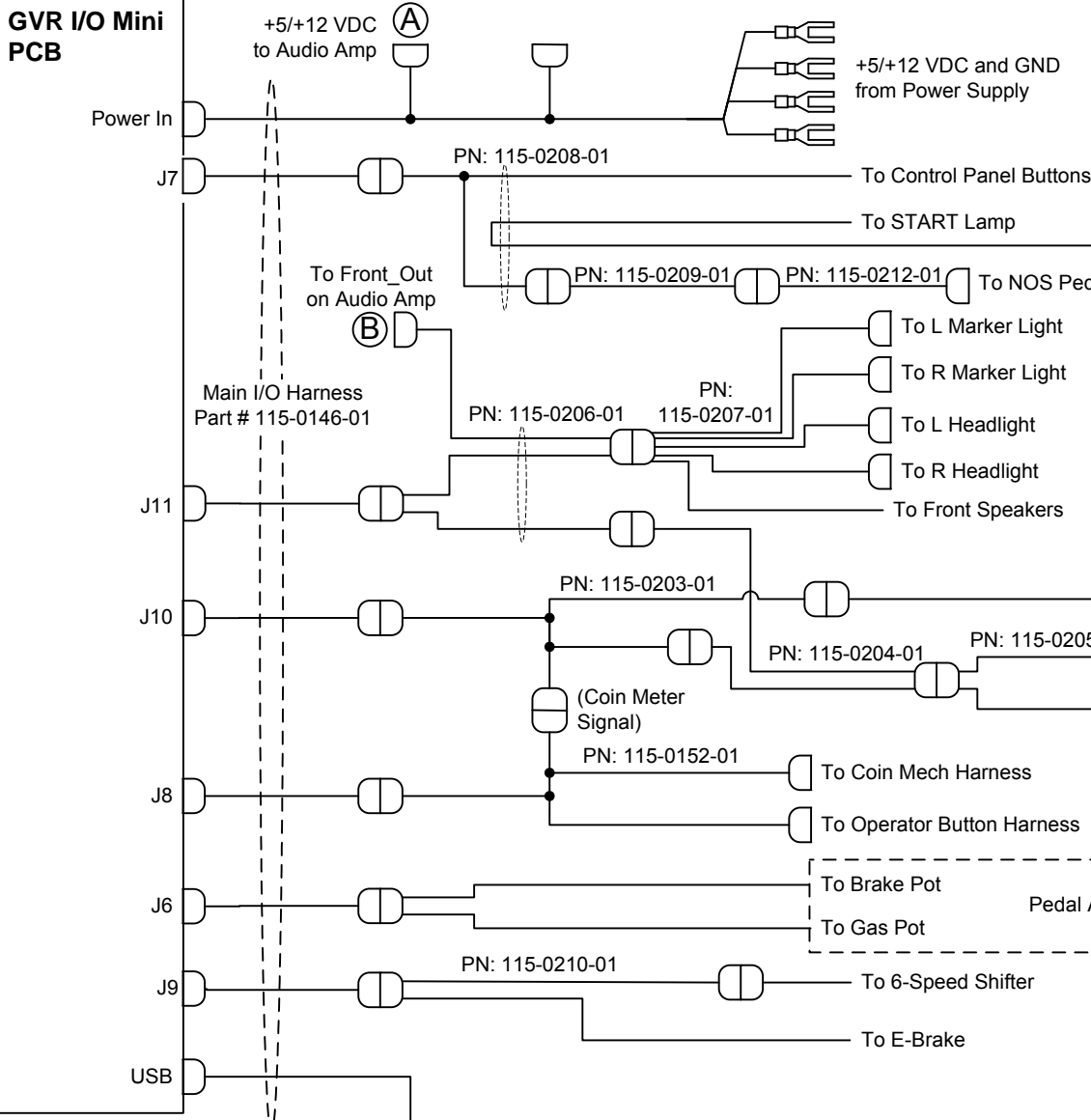
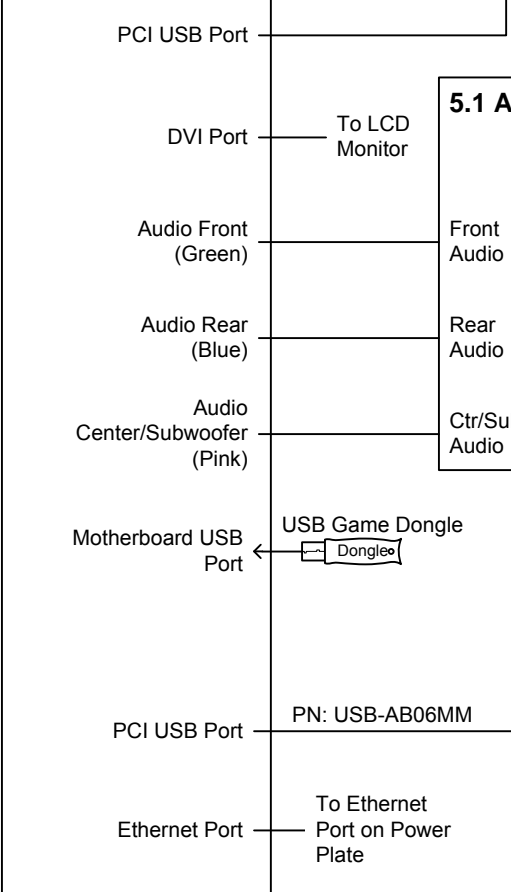


**GVR I/O Mini PCB**

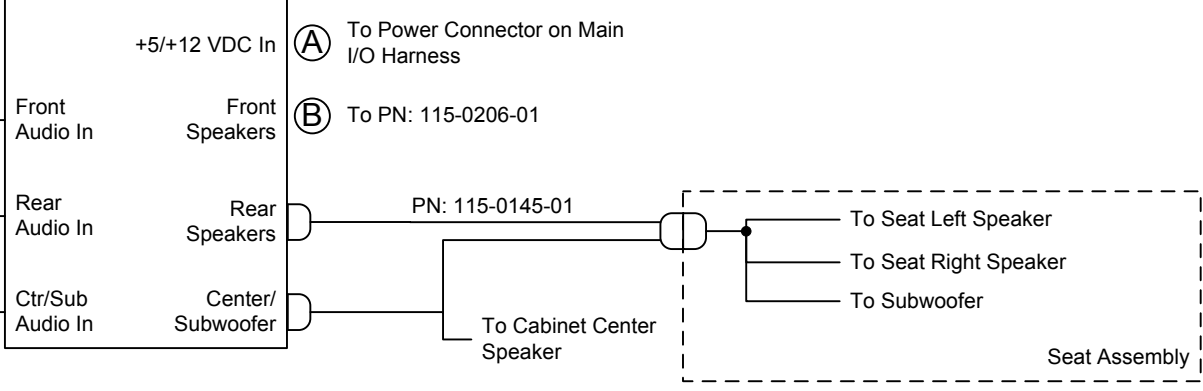


**Carbon Deluxe Simplified I/O Wiring Diagram**  
 © 2012 GLOBAL VR Inc.

**System Computer**



**5.1 Audio Amp PCB**



**Force-Feedback PCB**  
 PN: COEM-GCE-H2P5A

