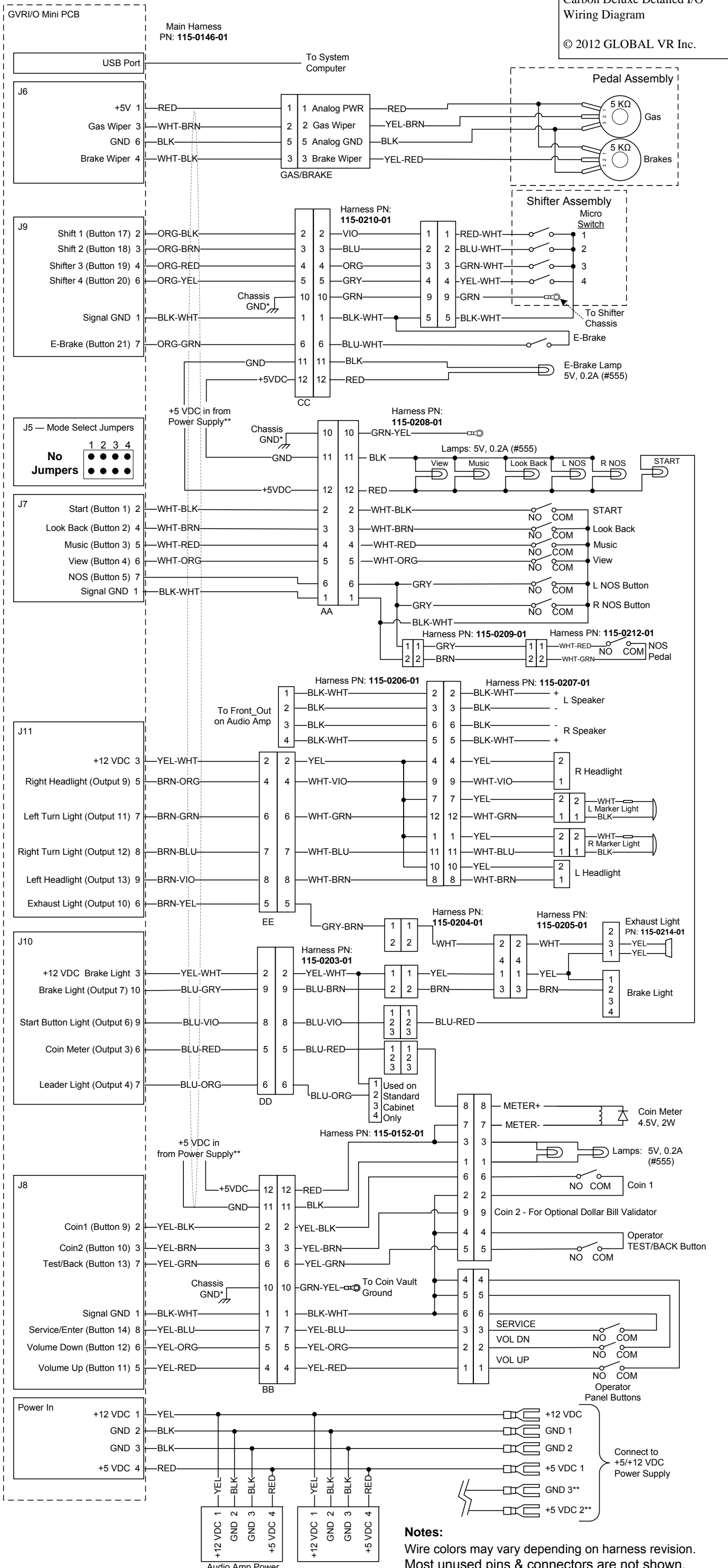


Carbon Deluxe Detailed I/O  
Wiring Diagram

© 2012 GLOBAL VR Inc.



**Notes:**

Wire colors may vary depending on harness revision.  
Most unused pins & connectors are not shown.

\*To Chassis GND ring on 115-0146-01.

\*\*Power Supply connections +5 VDC 2 & GND 3 to connectors AA, BB, & CC.