

***Need for Speed™* Underground Upright Cabinet Audio Wiring with 5.1 Amp**

Document Part #: 040-0108-01

Because the upright cabinet does not have rear speakers like the sit-down cabinet, the speakers are wired differently to combine the front and rear audio channels. This ensures that the upright cabinet plays the full range of sounds.

Refer to the diagram below to see how the speakers are wired. Use this diagram and the Sound Test screen in the Operator Menu to help troubleshoot any audio problems. When you use the Sound Test screen, you will hear the audio cycle through both front and rear channels. This allows you to verify that all channels are playing.

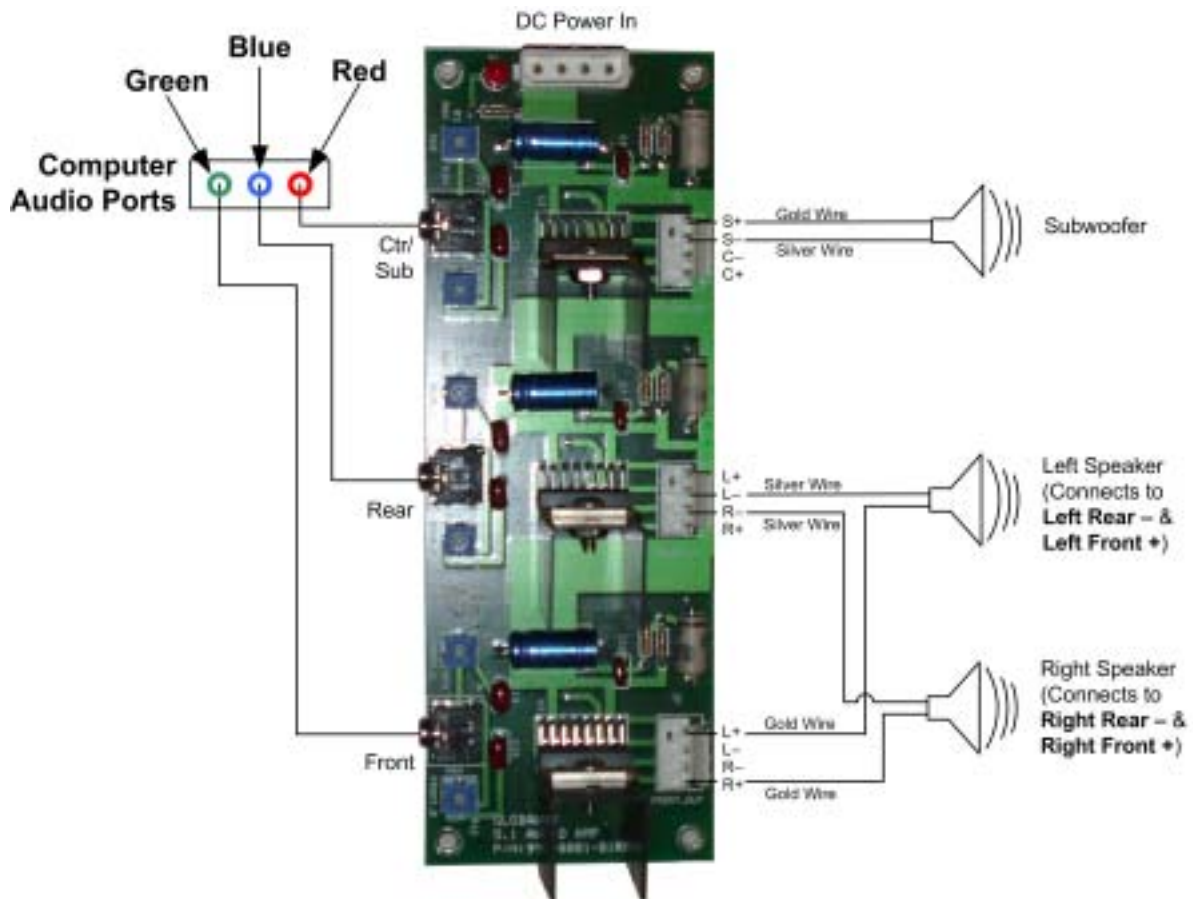


Figure 1. *Need for Speed™* Underground Upright Cabinet Audio Wiring