

Moving the Cabinet through a Single-Width Door

Document Part #: 040-0158-01

The EA SPORTS™ NASCAR® Racing Deluxe Cabinet is designed to fit through most double-width doors. It will fit through a 36-inch wide single door if you remove the monitor and marquee assemblies as described below.

Remove the LCD Monitor Assembly

1. Disconnect the Cabinet AC Power Cord.
2. Remove the five (5) screws, shown by the arrows in the picture below, from the LCD front cover bracket below the front of the monitor and remove the bracket.



Figure 1. LCD Front Cover Bracket

3. Remove the Monitor Access Door behind the monitor.
4. Disconnect the video cable from the back of the LCD Control PCB.
5. Disconnect the monitor DC power wires from the monitor power supply terminals (you *do not* need to disconnect the AC wires from the power strip).
6. Remove the two (2) Phillips screws that secure the DC power supply in place so you can move it out of the way to reach the monitor mounting bolts.
7. Remove the four (4) bolts that secure the monitor backbox to the mounting brackets inside the cabinet. The picture below shows the locations of the bolts inside the cabinet

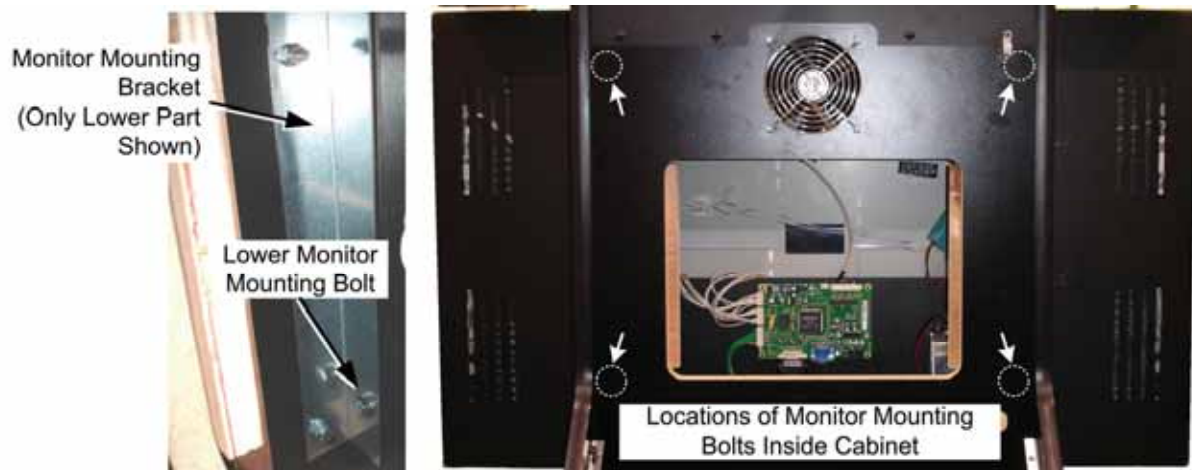


Figure 2. Monitor Mounting Bolts

8. Carefully lift the monitor, bezel, and glass out of the cabinet as one unit. This is easiest to do with a person on each side of the assembly.
9. Place the LCD monitor assembly in a safe place.

Remove the Marquee Assembly

1. Remove the ten (10) Torx[®] screws that secure the marquee artwork and clear plastic in place. Carefully tilt the clear plastic piece outward enough to disconnect the leader light connector, and then remove the clear plastic with the leader light assembly and artwork.
2. Disconnect the florescent light AC power connector from the power harness.
3. Disconnect the two speaker connectors from the main harness.
4. Disconnect the power connectors from each of the two LED lights above the speakers.
5. Check the harnesses from the cabinet and snip any cable ties that secure them to the marquee assembly.
6. Refer to Figure 3 and remove the four (4) Torx security bolts from the back of the marquee.
7. Remove the nuts and the two (2) carriage bolts located below the speakers.
8. Refer to Figure 3 and remove the three (3) additional mounting bolts located inside the marquee.
9. Carefully remove the marquee assembly and place it in a safe place.

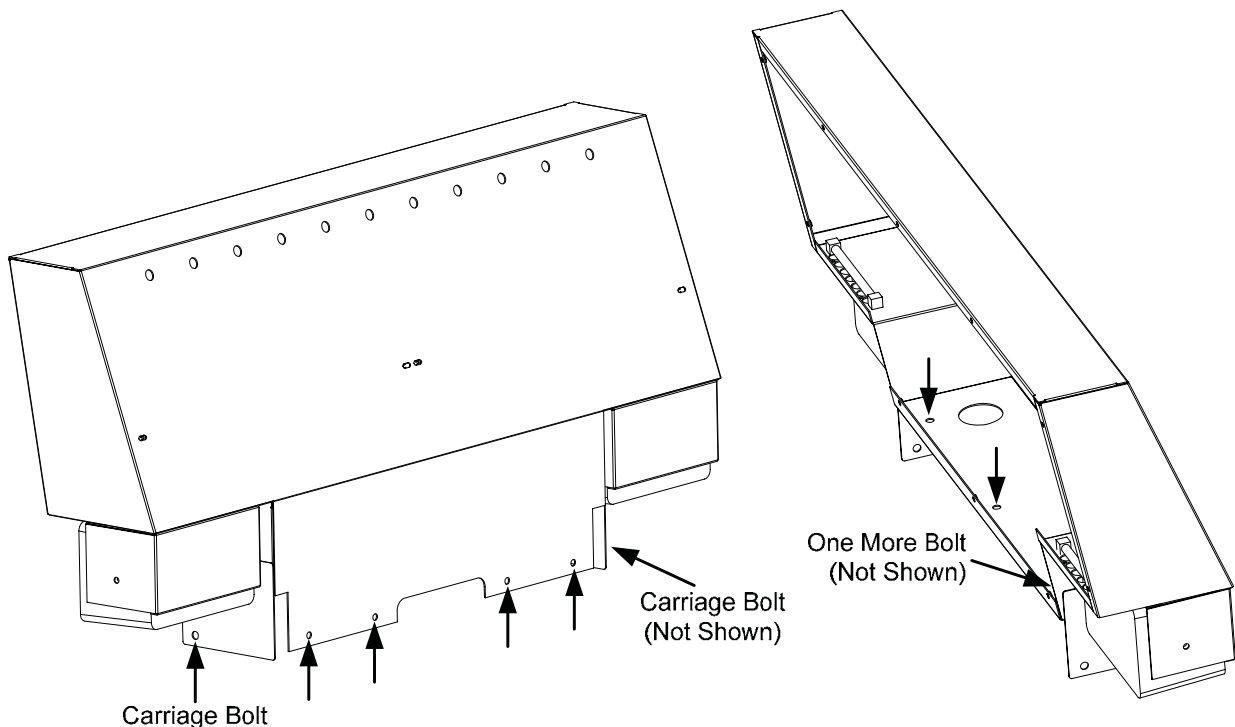


Figure 3. Location of Marquee Mounting Bolts

Re-Assembling the Cabinet

Reverse the removal steps to re-install the marquee and monitor assemblies on the cabinet. Be sure to connect the speakers, florescent fixtures, LED Lights, and leader light inside the marquee.