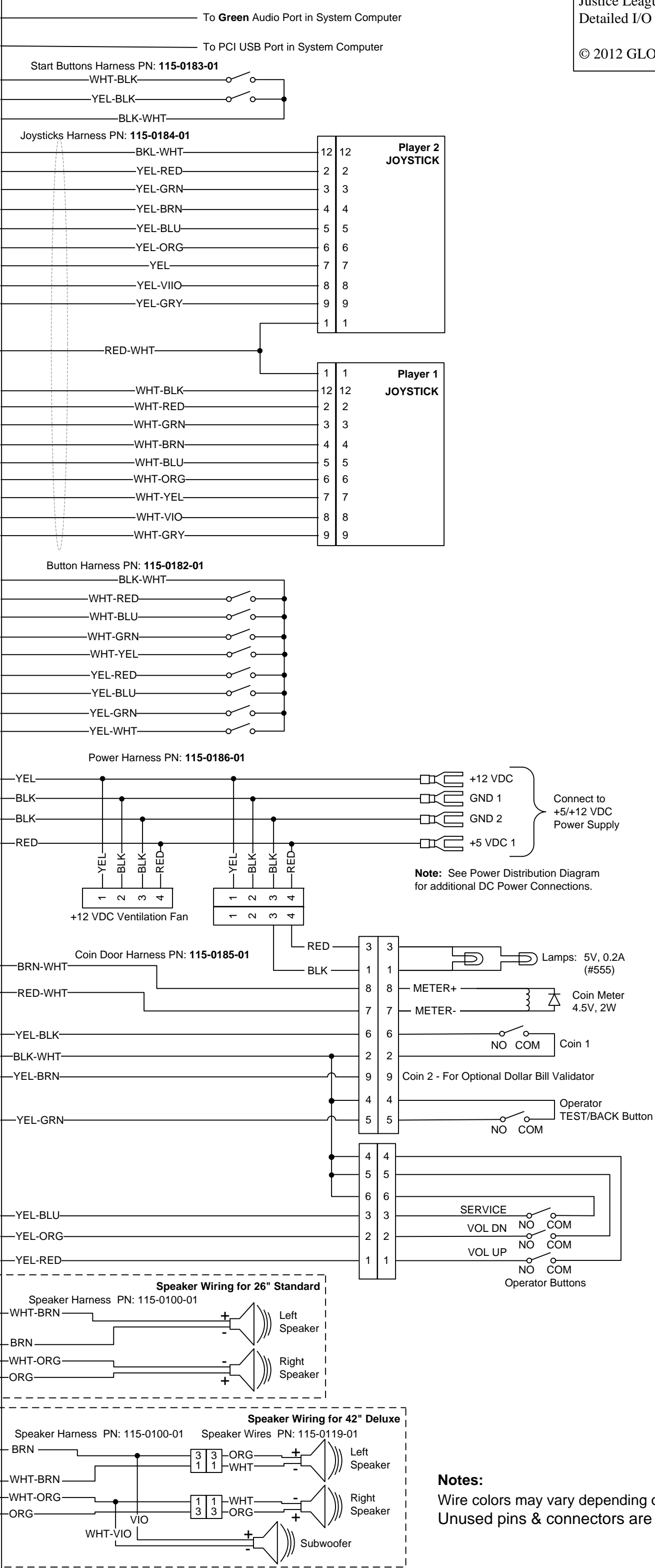
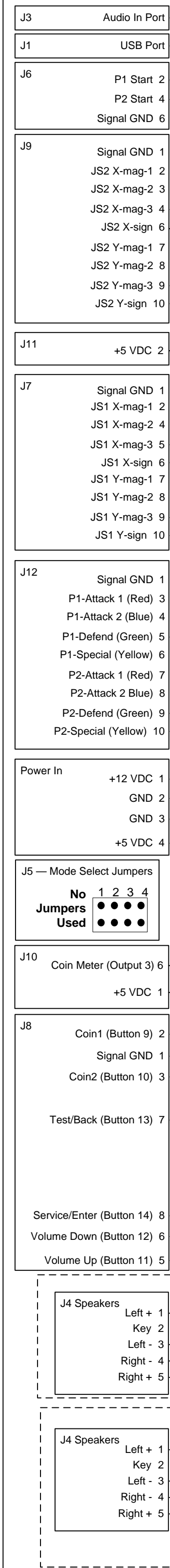


**GVR/I/O Mini PCB**



**Note:** See Power Distribution Diagram for additional DC Power Connections.

**Notes:**  
 Wire colors may vary depending on harness revision.  
 Unused pins & connectors are not shown.