

Installing the Externally Mounted Players' Card Dispenser on EA SPORTS™ PGA TOUR® Golf Challenge Edition Upgrade Cabinets

Document Part #: 040-0074-01

This document describes how to install the externally mounted Players' Card dispenser. GLOBAL VR® also offers an internally mounted dispenser (part # 90538-00), which is installed by cutting an opening in the front of the cabinet.

Kit Contents for Part # 90541-00

Part #	Description	Part #	Description
NA	Players' Card Dispenser Assembly with Vault	4600-0012	Wood Screws (3)
115-0003-01	DB25 Ribbon Cable	100-0021-01	Cable Ties (2)
4600-0062	DB Mounting Posts (2)	PLC1.5IS8-C	Screw-Mounted Cable Tie
USBIO	Nytric Version 1.5 USBI/O Card (or USBI/O Extreme Card)	NA	1/4-20 x 1-1/4" Bolts with Nuts and Washers (4)
115-0074-01	Players' Card Dispenser Harness	52-6212-00	Button Plugs (2)
44-1100-01	+5/+12 VDC Power Supply*	040-0074-01	Installation Instructions (This Document)
115-0008-01	AC Power Harness*	3100-0001	Players' Cards (25)
115-0079-01	DC Power Harness*		Pre-paid UPS Mailing Label for Returning the USBI/O Card to GLOBAL VR® (for Domestic Use Only)

*Power supply and associated harnesses are not required for Canadian cabinets.

Tools Required

- Nutdriver or Wrench
- Phillips Screwdriver
- Drill
- 1/4" and 3/4" Drill Bits
- Pencil

Procedures

CAUTION: GLOBAL VR® assumes no liability for any damage or injuries incurred while servicing the cabinet. Only qualified service personnel should perform service and installation of cabinet hardware.

Install the Nytric Version 1.5 USBI/O or USBI/O Extreme Card

CAUTION: To prevent electrostatic discharge (ESD) damage, handle PCBs by the edges only and use a grounding wrist strap or similar precaution.

Important: For the card dispenser to function, the system computer **MUST** have a Nytric Version 1.5 USBI/O card or a USBI/O Extreme card installed.

1. With the game running, press the Operator Button and check the Nytric Version displayed on the Machine Menu screen. If your game already has a Nytric Version 1.5 card installed, skip steps 3-7 below, and simply connect the DB25 ribbon cable to the existing USBI/O card.

If you do not need the USBI/O card from the kit, please leave it in its packaging and return it to GLOBAL VR® using the included pre-paid UPS mailing label (US customers only).

2. Disconnect the cables from the system computer and remove the computer from the cabinet. Place it on a workbench and remove the side panel.
3. Refer to Figure 1 and disconnect the power connector from the USBI/O card.
4. Remove the mounting screw that secures the USBI/O card in place and remove the card.
5. Place the removed card in the anti-static bag, padding, and box from the kit and return it to GLOBAL VR® using the included pre-paid UPS mailing label (US customers only).
6. Connect the ribbon cable to the 25-pin connector on the version 1.5 USBI/O or USBI/O Extreme card from the kit. The connector is keyed to connect only one way.

Note: The USBI/O card **does not** plug into the PCI slot in the computer.

7. Install the card in the computer and secure it with the mounting screw removed previously.
8. Re-connect the power connector to the USBI/O card.

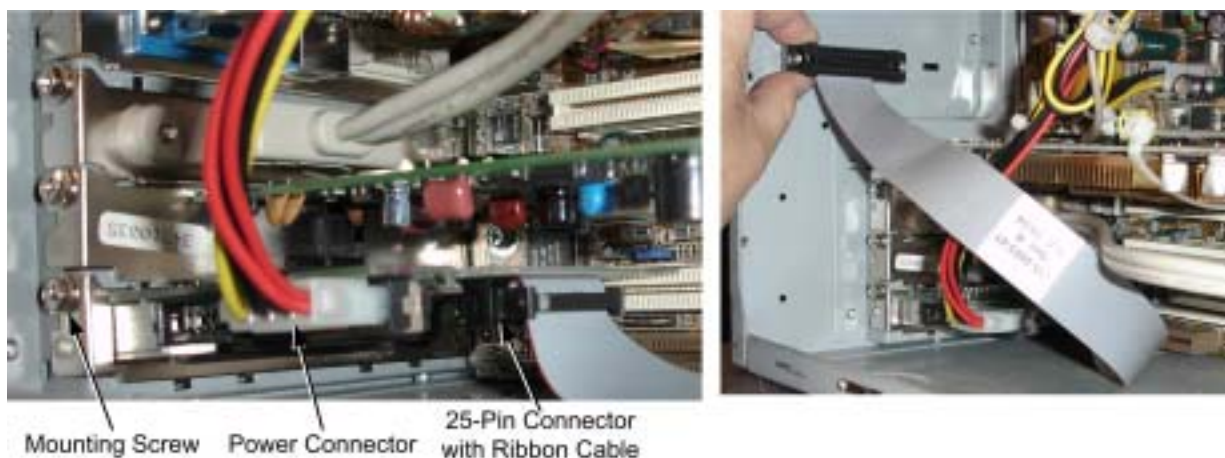


Figure 1. Installing the USBI/O Card (Version 1.5 Shown)

9. Locate the DB25 mounting hole on the back of the computer (see Figure 2) and push out the cover plate.

- Depending on your computer, you may need to remove the power supply to access the DB25 mounting hole, as shown in Figure 2. To remove the power supply, remove the four mounting screws that are circled in the first part of the picture below.

Note: If you prefer, you can purchase a DB25 PC blanking plate, such as PLATE925 from StarTech.com, that will allow you to mount the connector in an unused PCI card bay.



Figure 2. Installing the DB25 Connector on PC Rear

- Secure the DB25 connector in the mounting hole using the two screws from the kit, as shown in the second part of Figure 2.
- Replace the power supply, if you removed it, and secure it with the four screws.
- Replace the side panel on the computer and secure it with the two screws.
- Please return the leftover USBI/O card to GLOBAL VR[®] in the packaging used for the USBI/O card in the kit. A pre-paid mailing label is included for US customers.

Install the Players' Card Dispenser Assembly on the Cabinet

- Disconnect the cabinet from AC power.
- Determine where you want to mount the Players' Card dispenser. The dispenser can be mounted to either side or the front of the cabinet.



WARNING: Follow all safety precautions while drilling the cabinet. Wear safety glasses and follow safety guidelines. Be careful to avoid drilling into cables or components.

- Position the card dispenser on the cabinet. Open the door and mark the locations for the mounting bolts and harness hole.
- Inspect the inside of the cabinet before drilling to make sure that you will not damage any harnesses or other components.
- Drill four (4) 1/4" holes for the mounting bolts in the locations that you marked.
- Drill a 3/4" hole for the harness in the location that you marked.
- Install the button plugs from the kit in the harness holes on the exposed sides of the dispenser.
- Secure the card dispenser assembly to the cabinet with the four (4) bolts, washers, and nuts.

Re-Install the Computer

1. Replace the computer in the cabinet and secure it in place.
2. Refer to the figure below to reconnect the cables.

Note: Connections are shown for computers with the PS-35BL motherboard. Connector positioning is slightly different on the NB-32 Motherboard.

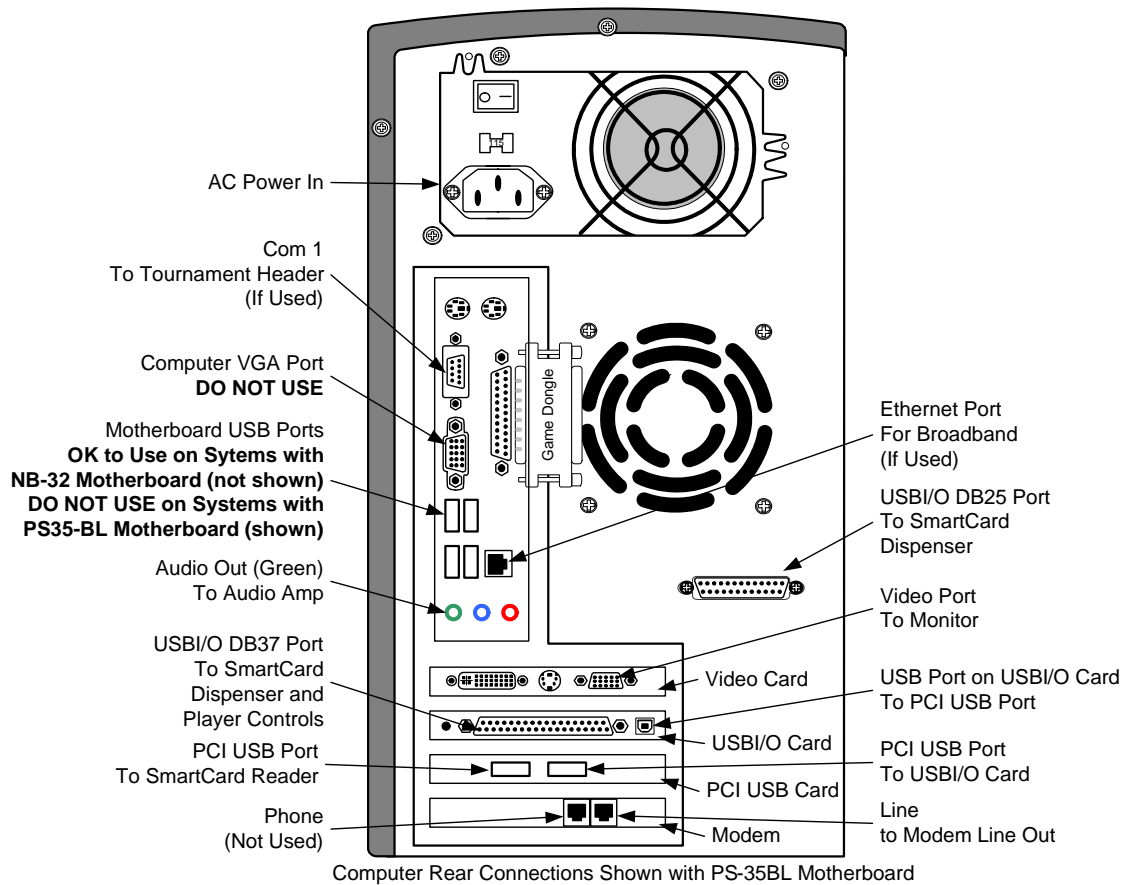


Figure 3. PC Cable Connections

Install the Power Supply (as Needed)

Note: Skip this section for Canadian cabinets with electronic coin mechs. They already have a DC power supply installed.

1. Connect the two harnesses to the +5/+12 VDC power supply as shown below:

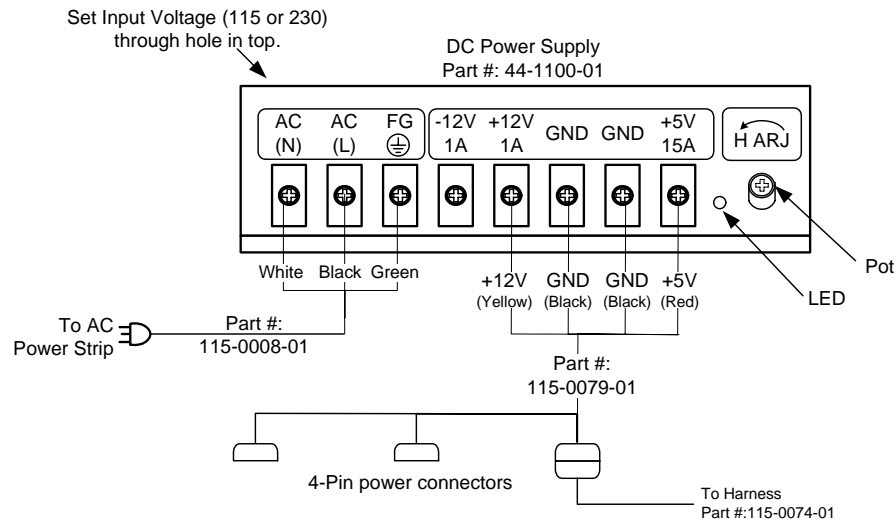


Figure 4. DC Power Supply Wiring

2. Position the power supply in the cabinet and secure it with the two wood screws from the kit.
3. Connect the power harness (part # 115-0008-01) to the AC power strip.

Connect Harnesses

1. Run the 6-pin connector on the card dispenser harness (Part # 115-0074-01) through the harness hole, and connect it to the card dispenser.
2. With the card dispenser open, use a screw-mounted cable tie to secure the harness to the inside of the cabinet so that it will not be caught or pulled when the dispenser is opened.
3. Refer to Figure 6 for a simplified wiring diagram. Disconnect the DB37 connector from the USBI/O card in the computer, and connect it to the corresponding connector on the Players' Card dispenser harness. Use two cable ties to secure the two DB37 connectors together, as shown in the picture below.



Figure 5. Securing the DB37 Connectors

4. Connect the other DB37 connector on the dispenser harness to the DB37 port on the USBI/O card in the computer.

5. Connect the DB25 connector on the dispenser harness to the connector that you installed in the computer.

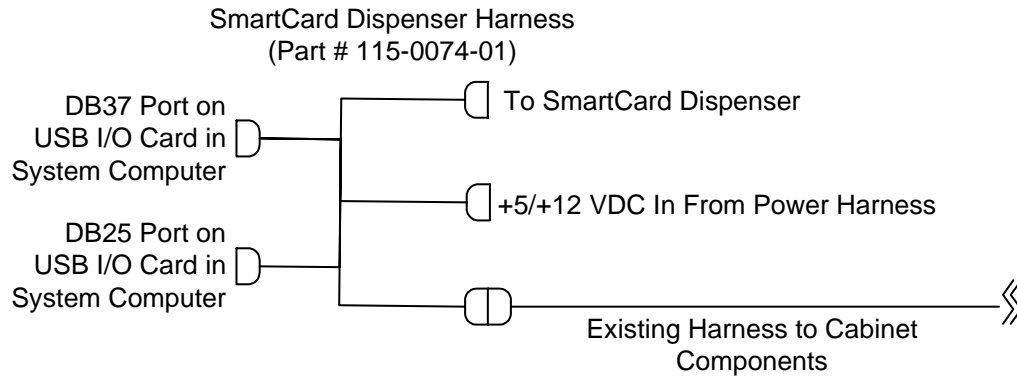


Figure 6. Card Dispenser Simplified Wiring Diagram

6. Connect the PC power connector on the dispenser harness to the +12/+5 VDC power harness from the DC power supply.
7. Insert the desired number of Players' Cards in the dispenser, as shown below.

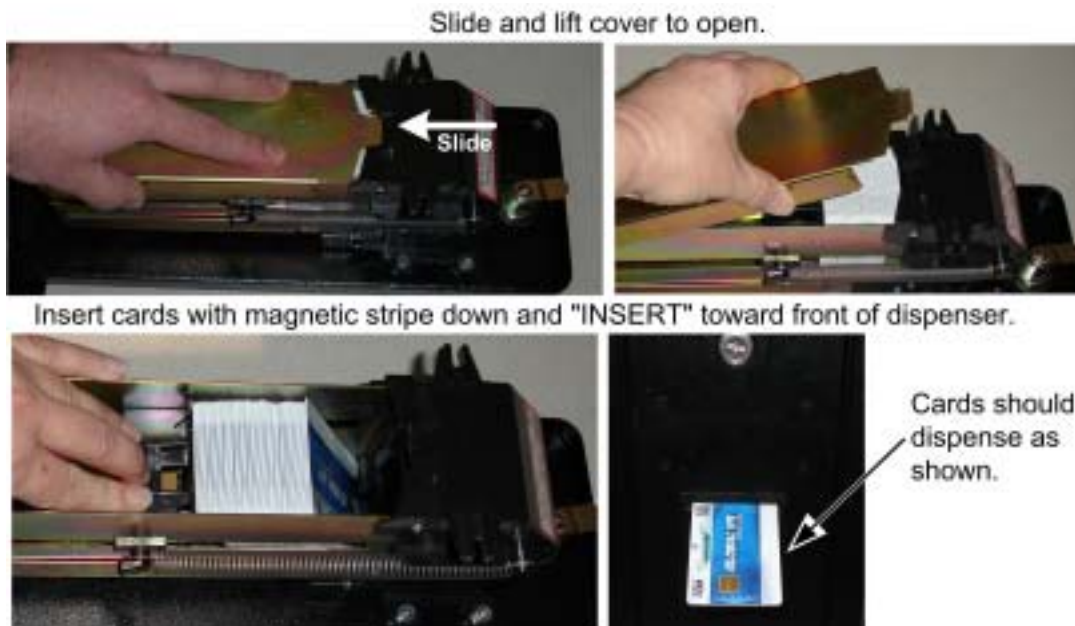


Figure 7. Filling the Players' Card Dispenser

8. Power ON the cabinet and test the dispenser from the System Test screen of the Game Operator Menu. Set Players' Card pricing from the Game and Coin Options menu.
9. Test all game functions to verify proper operation.

Note: The dispenser will not work unless it is fully closed and in a vertical position (no more than a 5-degree angle), with the back cover in place.

Rebooting the computer without power cycling the cabinet may cause the Players' Card dispenser to dispense a card.

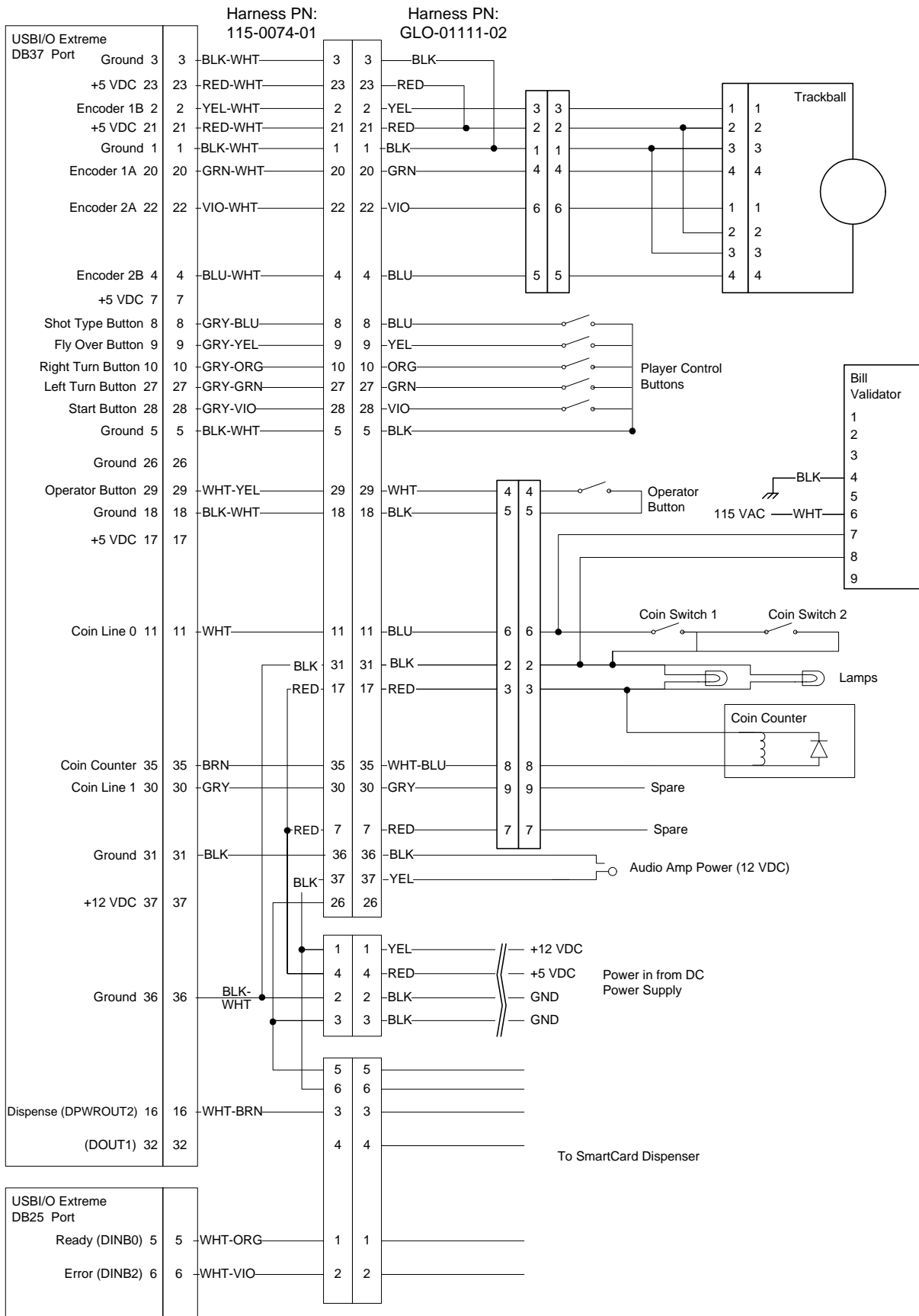


Figure 8. Cabinet Wiring Diagram with Card Dispenser