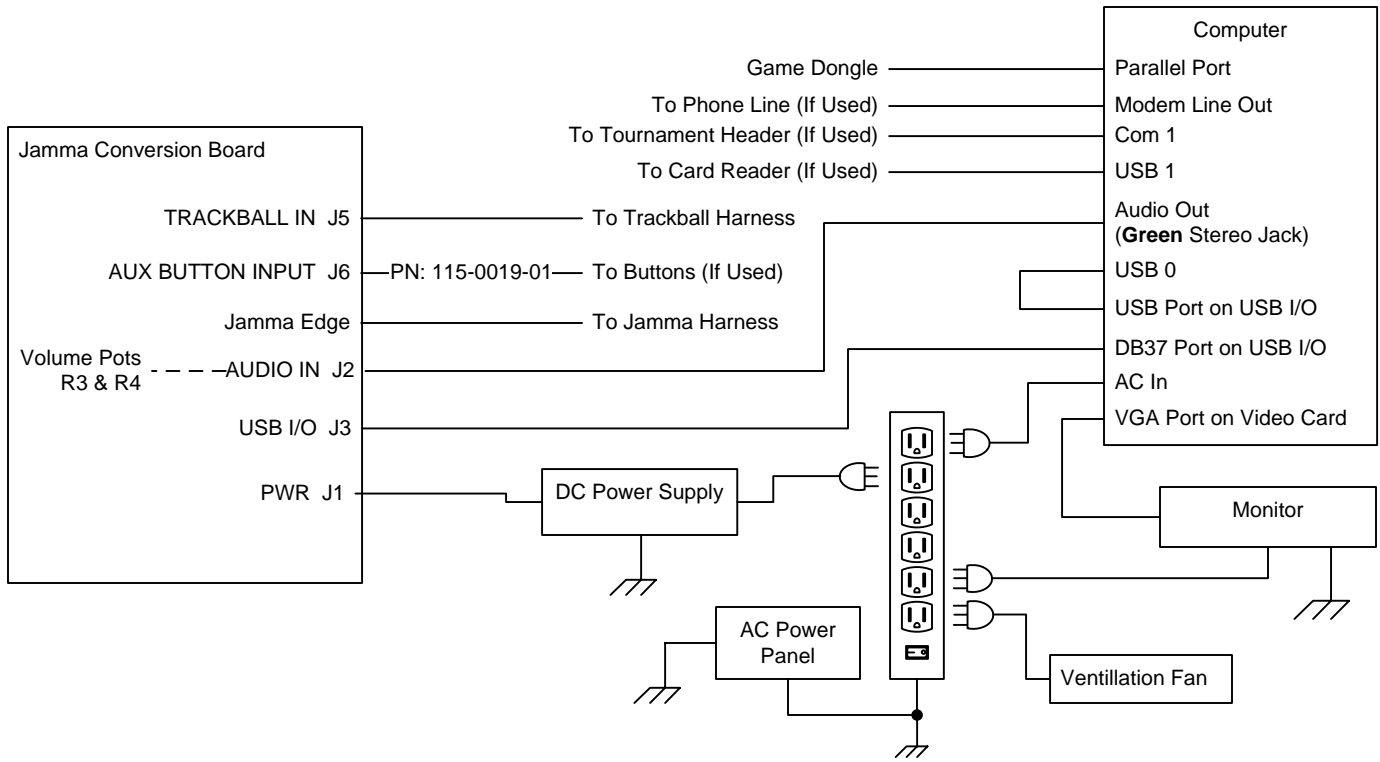


Configuration with New Wells-Gardner Monitor



Configuration with Older Monitor, UVC, and Isolation Transformer

