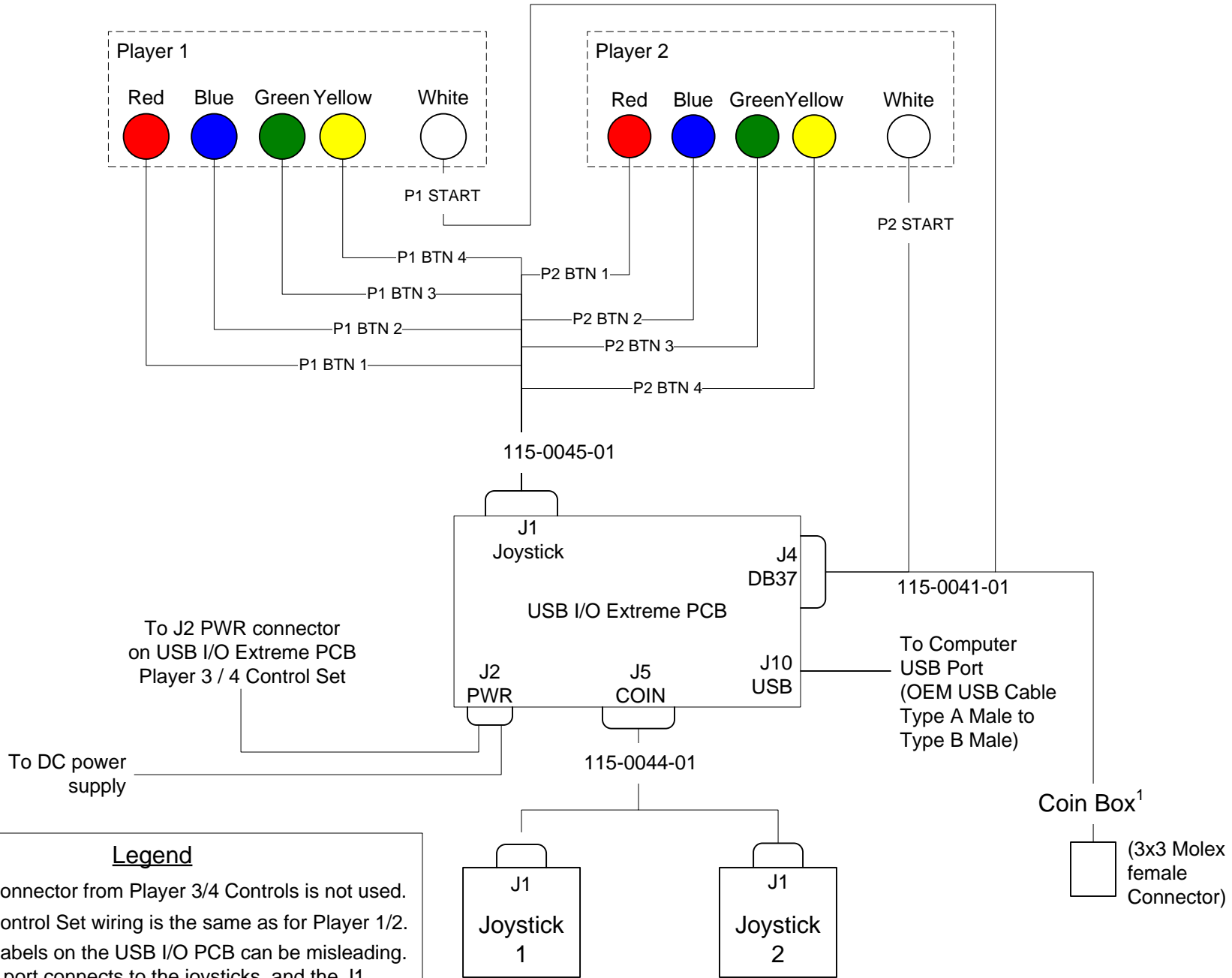


# Player 1 / 2 Control Set Wiring



## Legend

<sup>1</sup> Coin Box connector from Player 3/4 Controls is not used. Player 3/4 Control Set wiring is the same as for Player 1/2.  
**Note:** Two labels on the USB I/O PCB can be misleading. The J5 *Coin* port connects to the joysticks, and the J1 *Joystick* port connects to the buttons.