

Document Part #: 040-0044-01 Rev. B

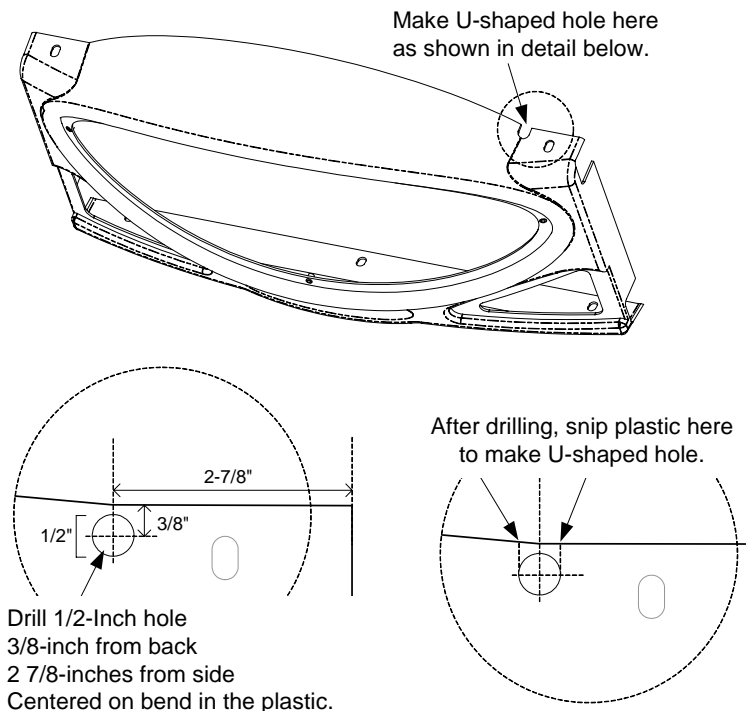
This document describes the steps for upgrading an EA SPORTS™ MADDEN NFL™ FOOTBALL Standard cabinet for tournament play using a back-lit tournament header.

The kit contains the following components:

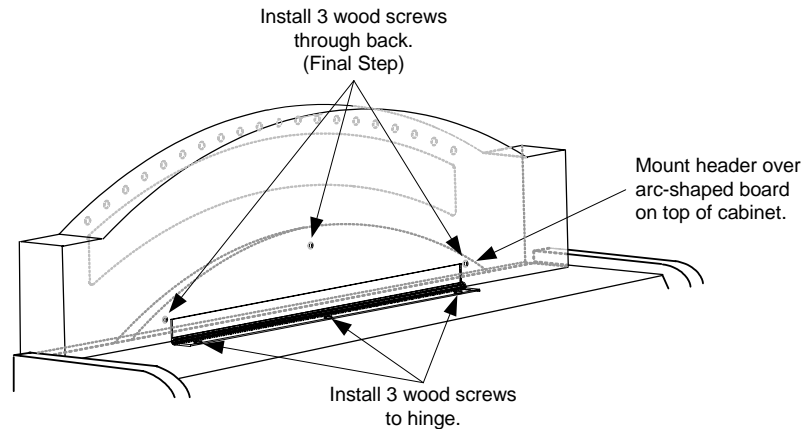
- This Instruction Document (PN: 040-0044-01)
- Tournament Header Assembly (PN: 47000-00)
- Header Controller Board (PN: 990-0008-01)
- Smartcard Reader Assembly (PN: 45002-00)
- Operator Plus™ Smartcard (Blank. Can be programmed when you register with four-digit code.)
- Two-foot DC power cable (PN: 115-0057-01)
- Five-foot DC power cables (PN: 115-0058-01)
- Six-foot DB25 control cable (PN: 115-0059-01)
- Tournament Operator Guide (PN: 040-0020-01)
- Wood screws and four standoffs

Install the Tournament Header

1. Disconnect the cabinet from AC power.
2. Remove the five T27 Torx® screws that secure the marquee to the cabinet, and remove the marquee.
3. Refer to the figure below. If your marquee does not already have the U-shaped hole, drill a 1/2-inch hole in the marquee and then snip the plastic to make a U-shaped hole. The hole goes in the top at the right side relative to the front of the marquee, centered on the bend in the plastic.



- Center the tournament header on top of the cabinet so that the arc-shaped board is inside the header and the back of the header is against the board as shown in the figure below.



- Open the tournament header hinge so that it is against the top of the cabinet. With the header pressed firmly against the arc-shaped board, drill pilot holes and install the three wood screws through the hinge into the top of the cabinet.
- Drill three 1/16" pilot holes into the arc-shaped board through the three holes in the back of the header. (These will be used later to secure the header to the board with wood screws.)
- Fold the header down on the hinge so you can access the harnesses inside the header.

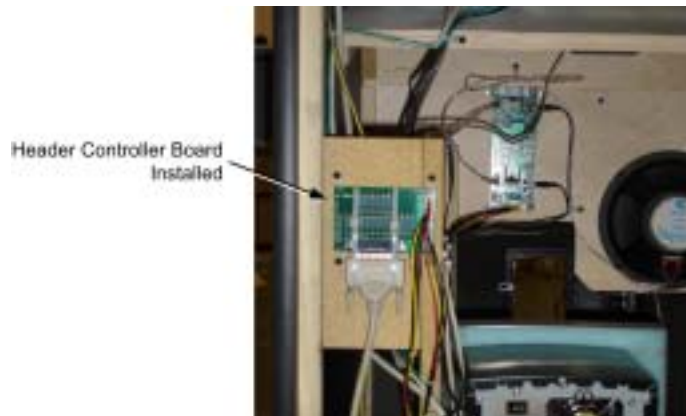
Install the Tournament Header Controller Board

Caution: To prevent electrostatic discharge (ESD) damage, handle the board by the edges only and use a grounding wrist strap or similar precaution.

- Locate the four plastic standoffs and wood screws in the hardware packet.
- Place a plastic standoff in each of the four holes in the board. The standoffs have a flat part with a mounting hole for a screw; rotate each standoff so the part with the mounting hole sticks out to the side of the board.

Hint: Look at the Audio Amp PCB for an example of how to mount a PCB on the standoffs.

- Center the board in the location shown in the figure below, and mark the mounting screw location for each standoff.



- Drill pilot holes and then mount the board to the cabinet with the four wood screws.

3. Remove the two screws that secure the card reader cover plate to the cabinet and remove the cover plate.
4. Locate the Smartcard reader assembly from the kit, as shown in the figure below. Make sure that the USB cable is connected to the back and secured to the top with a cable tie.



5. From the front of the cabinet, install the Smartcard Reader assembly into the opening that was under the cover plate, with the LEDs to the right, as shown in the figure below. Secure the Smartcard Reader in place with the two screws removed from the cover plate.
6. Re-install the display shield retainer with the screws removed previously.

Smartcard Reader
after installation is
completed.



7. Connect the cable from the Smartcard Reader to one of the computer USB ports located **above** the audio ports.

Important: The Smartcard Reader must connect to one of the USB ports located **above** the audio ports on the back of the computer. The player controls must connect to the USB ports on the USB card installed **below** the audio ports. For more information, refer to the Computer Rear Connectors drawing near the back of the *EA SPORTS™ MADDEN NFL™ FOOTBALL System Manual*.

8. Turn the cabinet ON.
9. From the Operator Menu, go to the **Test Card Reader** screen and follow the instructions to verify the Smartcard reader is operating properly.

This completes the installation.

Register the Cabinet

Refer to Chapter 5 – Setting Up for Tournament Play in the *EA SPORTS™ MADDEN NFL™ FOOTBALL System Manual* for instructions on registering your cabinet for tournament play. Tournament, Career Mode, and Competition Mode are disabled until the cabinet is registered.