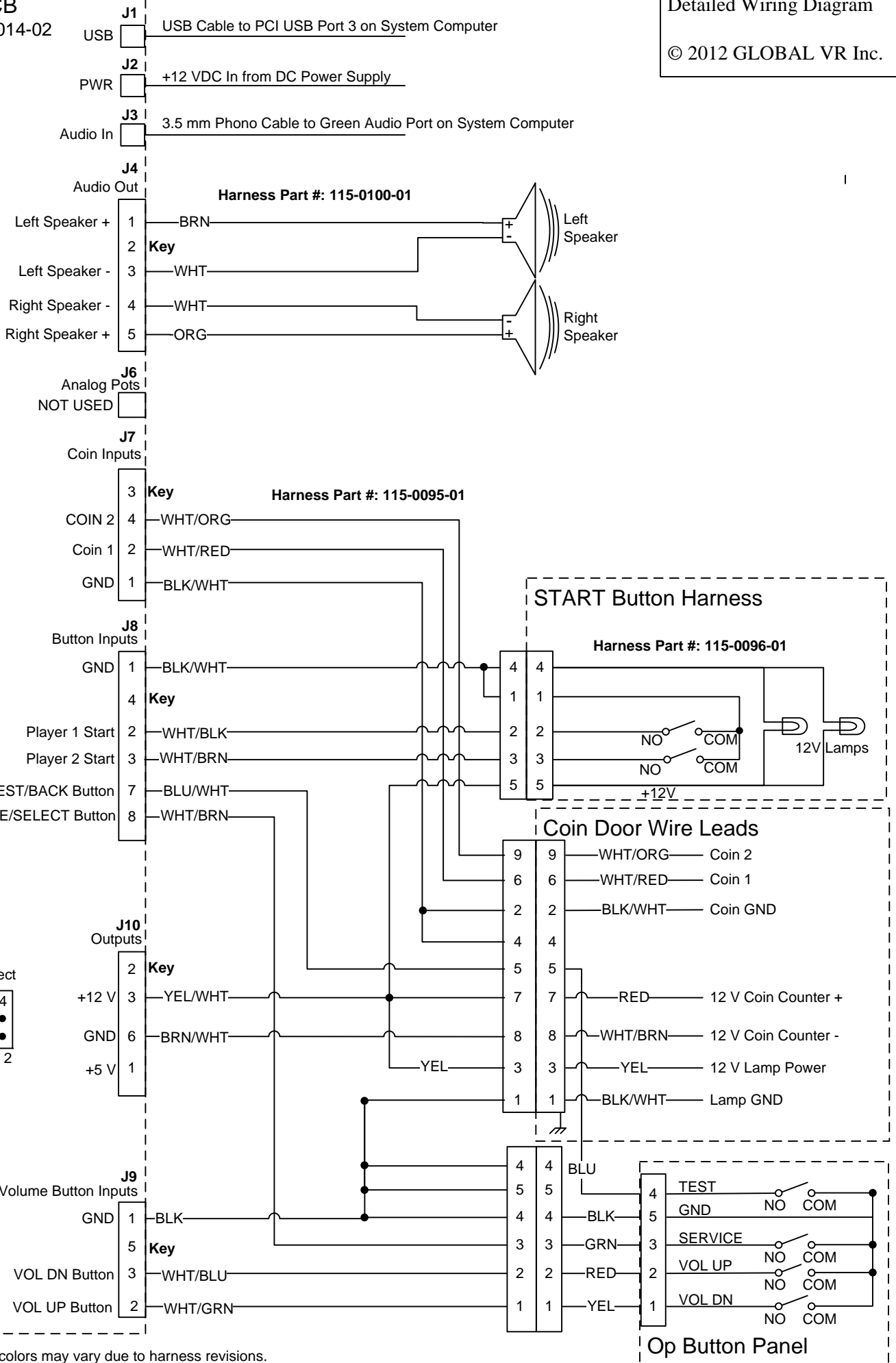


# GVRI/O PCB

Part #: 990-0014-02

Frightfearland Universal Kit  
Detailed Wiring Diagram

© 2012 GLOBAL VR Inc.



**NOTES:** Wire colors may vary due to harness revisions.  
Unused pins are not shown.