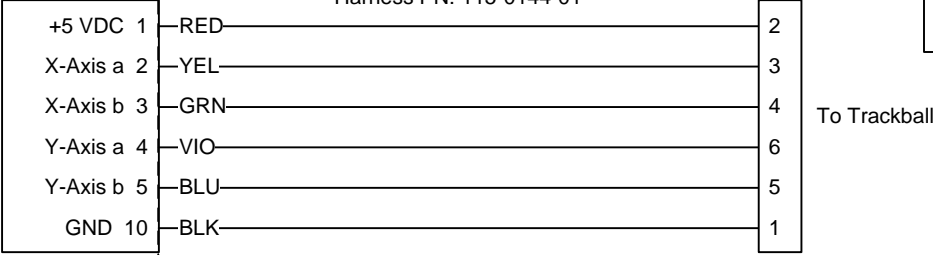
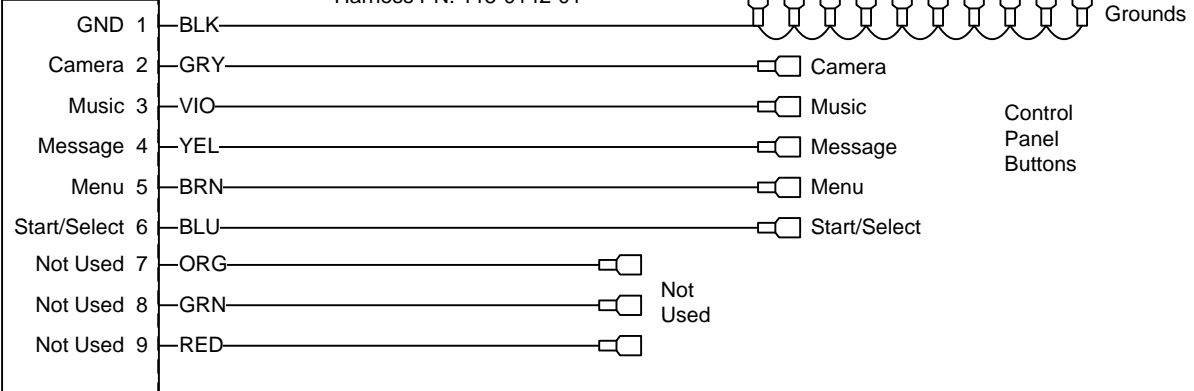


I/O PCB

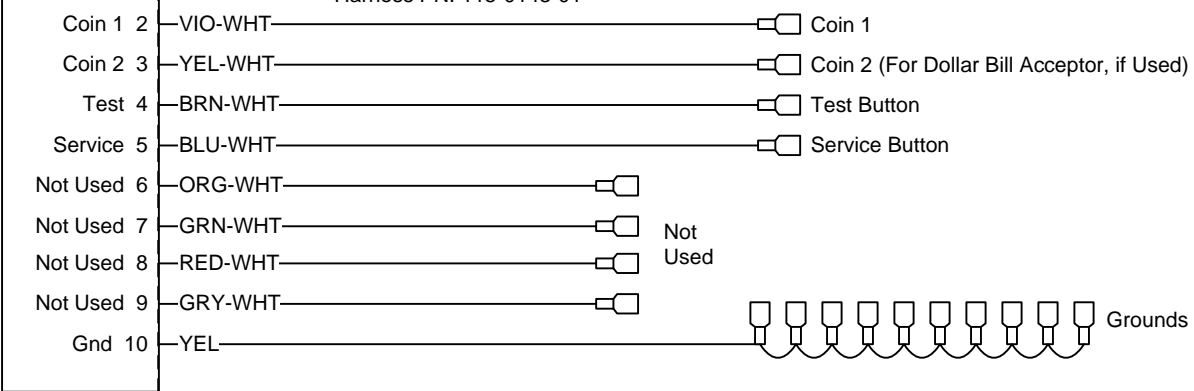
J2-Trackball



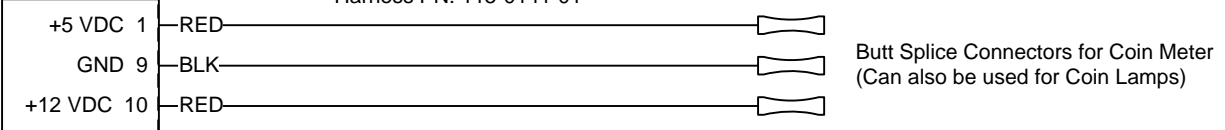
J3-Buttons



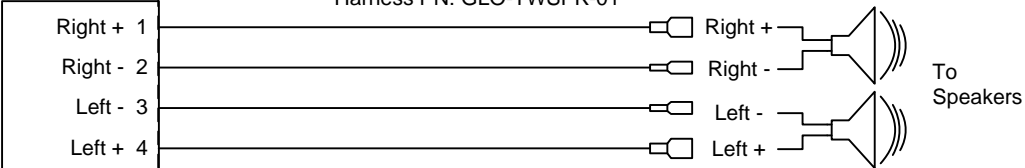
J5-Coin Door



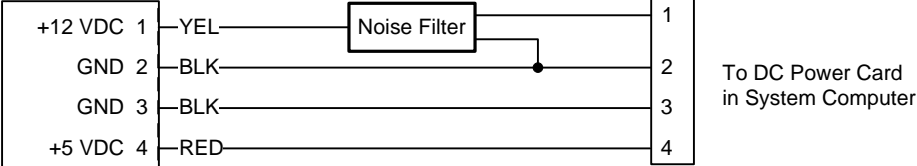
J9-Coin Meter



J12-Speakers



J10-Power In



J1-USB

To USB Port on System Computer

J11-Audio In

To Audio Out Port on System Computer

Notes: Wire colors may change due to harness revisions. Unused pins are not shown.